

4

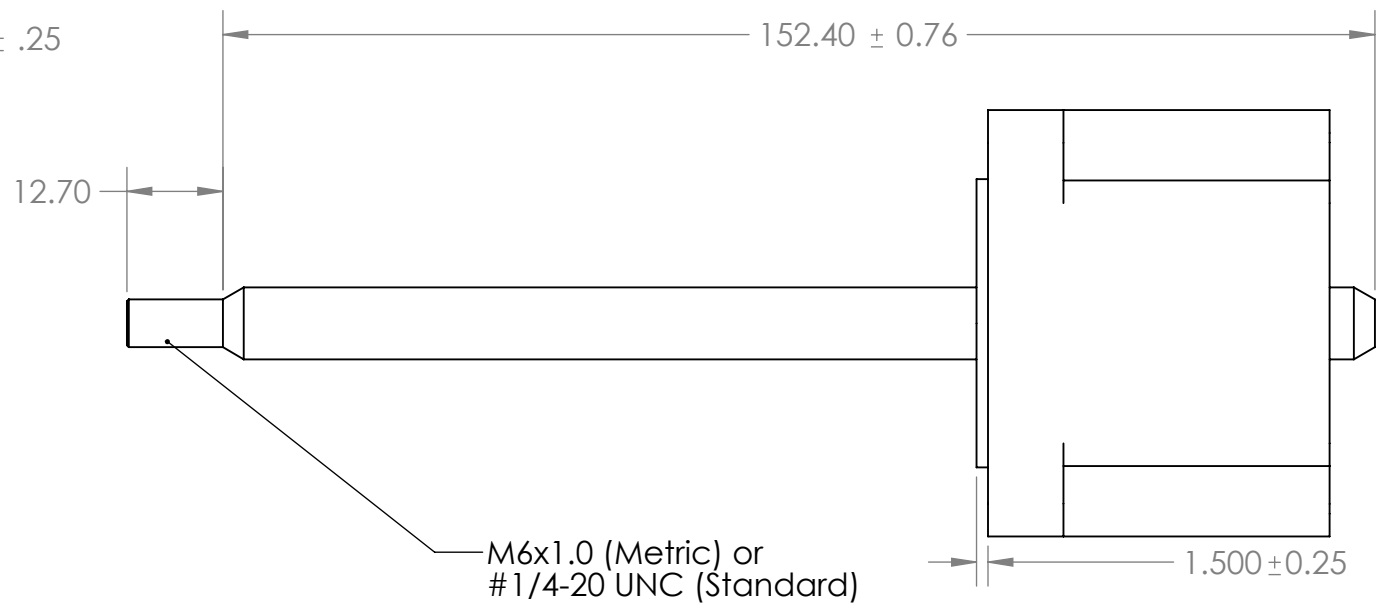
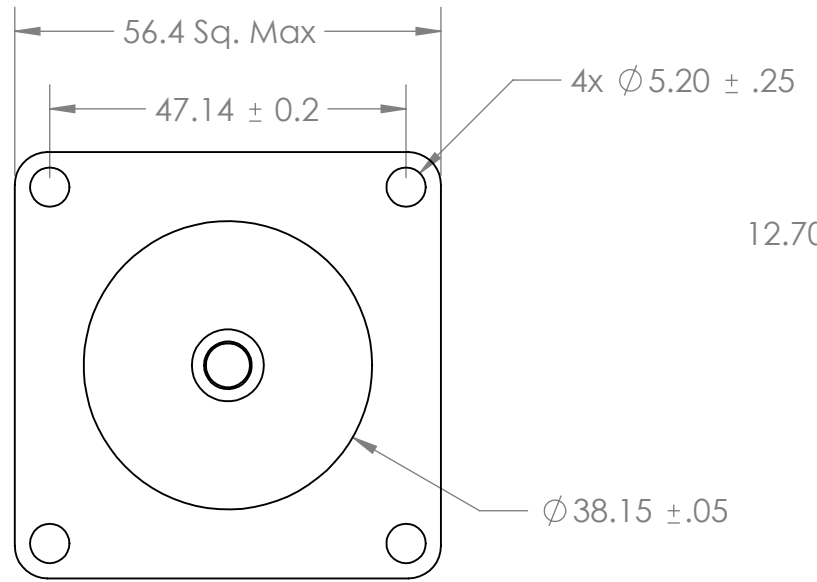
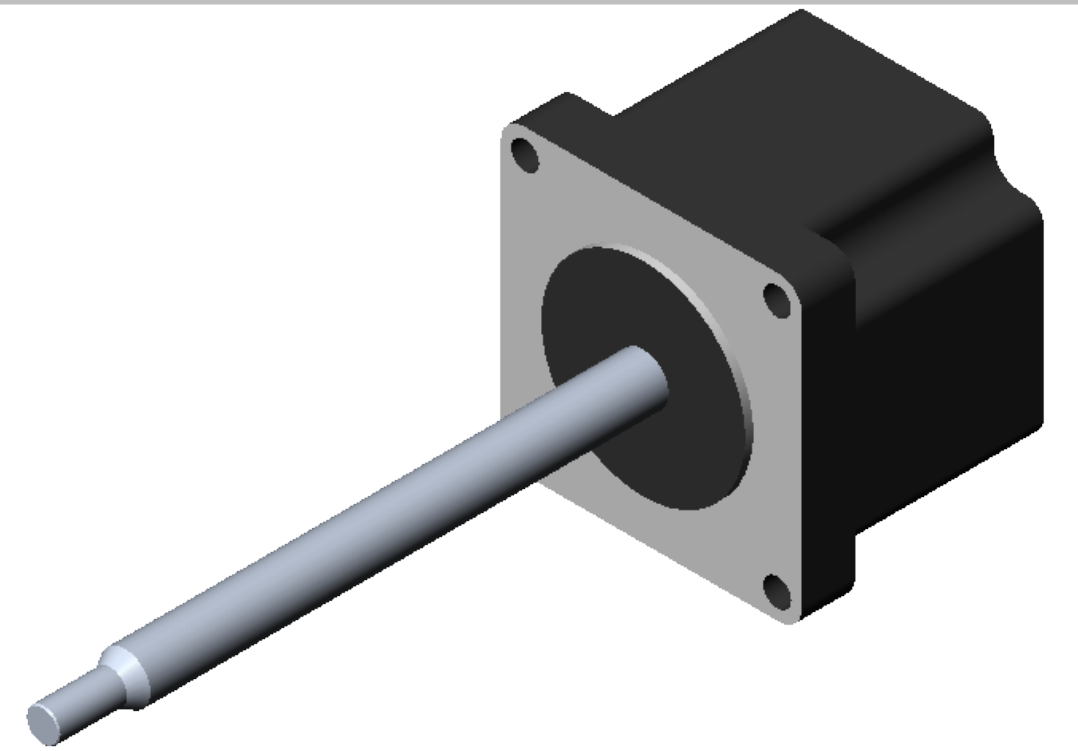
3

2

1

B

B



Same dimensions for:
LHS-005-0400-RF

A

A

PROPRIETARY AND CONFIDENTIAL
THE INFORMATION CONTAINED IN THIS DRAWING IS THE SOLE PROPERTY OF Roll-2-Roll Technologies LLC. ANY REPRODUCTION IN PART OR AS A WHOLE WITHOUT THE WRITTEN PERMISSION OF Roll-2-Roll Technologies LLC IS PROHIBITED.

		UNLESS OTHERWISE SPECIFIED:		NAME	DATE	Roll-2-Roll Technologies LLC	
		ALL DIMENSIONS ARE IN MM		DRAWN	AS	3/17/17	TITLE:
				CHECKED			LHS-020-0400-RF
				ENG APPR.			
				MFG APPR.			
				Q.A.			
				COMMENTS:			
		INTERPRET GEOMETRIC TOLERANCING PER:					
		MATERIAL					
		FINISH					
NEXT ASSY	USED ON	APPLICATION		DO NOT SCALE DRAWING		SIZE DWG. NO. REV	
						B LHS-020-0xxx	
						SCALE: 1:2 WEIGHT: SHEET 1 OF 2	

4

3

2

1

4

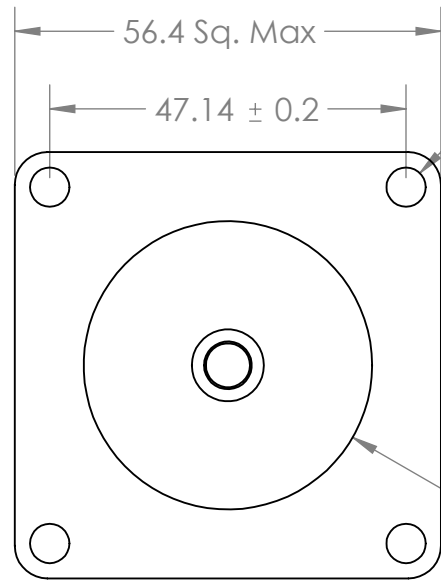
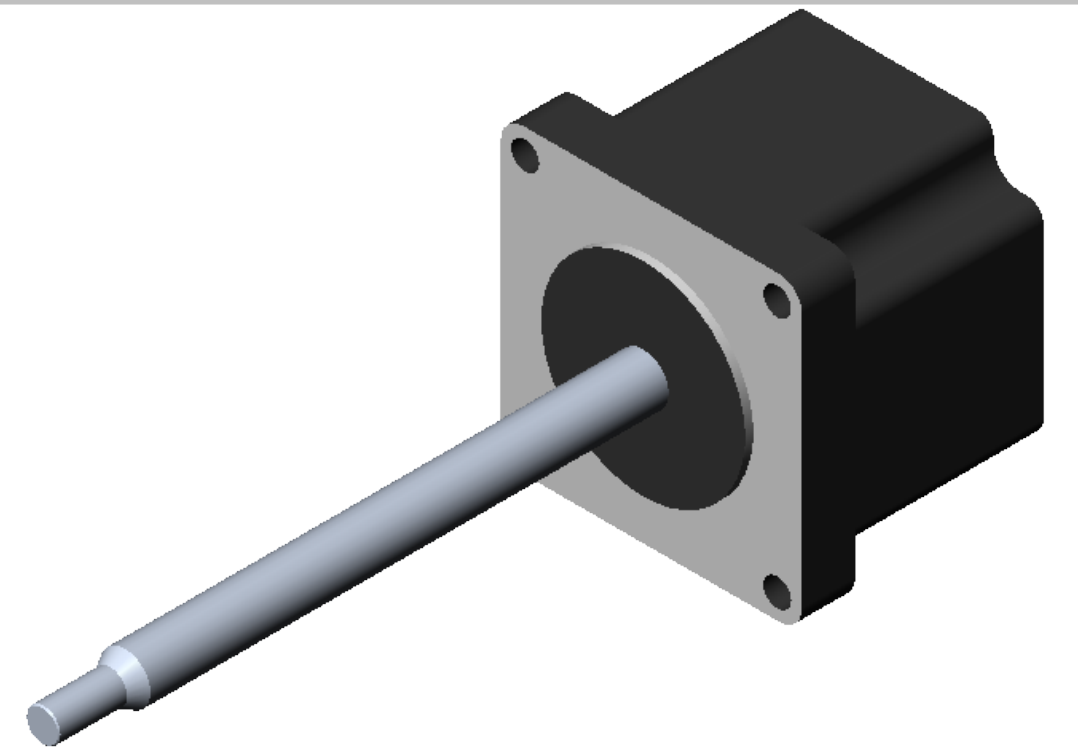
3

2

1

B

B



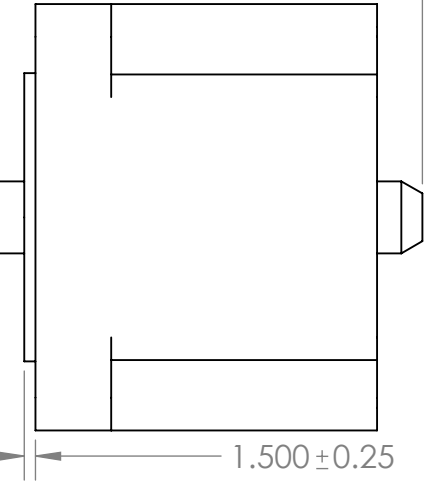
4x Ø 5.20 ± .25

12.70

Ø 38.15 ± .05

203.20 ± 0.76

M6x1.0 (Metric) or #1/4-20 UNC (Standard)



Same dimensions for: LHS-005-0600-RF

A

A

PROPRIETARY AND CONFIDENTIAL
 THE INFORMATION CONTAINED IN THIS DRAWING IS THE SOLE PROPERTY OF Roll-2-Roll Technologies LLC. ANY REPRODUCTION IN PART OR AS A WHOLE WITHOUT THE WRITTEN PERMISSION OF Roll-2-Roll Technologies LLC IS PROHIBITED.

		UNLESS OTHERWISE SPECIFIED:	NAME	DATE
		ALL DIMENSIONS ARE IN MM	DRAWN	AS
			CHECKED	3/17/17
			ENG APPR.	
			MFG APPR.	
		INTERPRET GEOMETRIC TOLERANCING PER:	Q.A.	
		MATERIAL	COMMENTS:	
NEXT ASSY	USED ON	FINISH		
APPLICATION		DO NOT SCALE DRAWING		

Roll-2-Roll Technologies LLC

TITLE:
LHS-020-0600-RF

SIZE	DWG. NO.	REV
B	LHS-020-0xxx	

SCALE: 1:2	WEIGHT:	SHEET 2 OF 2
------------	---------	--------------

4

3

2

1