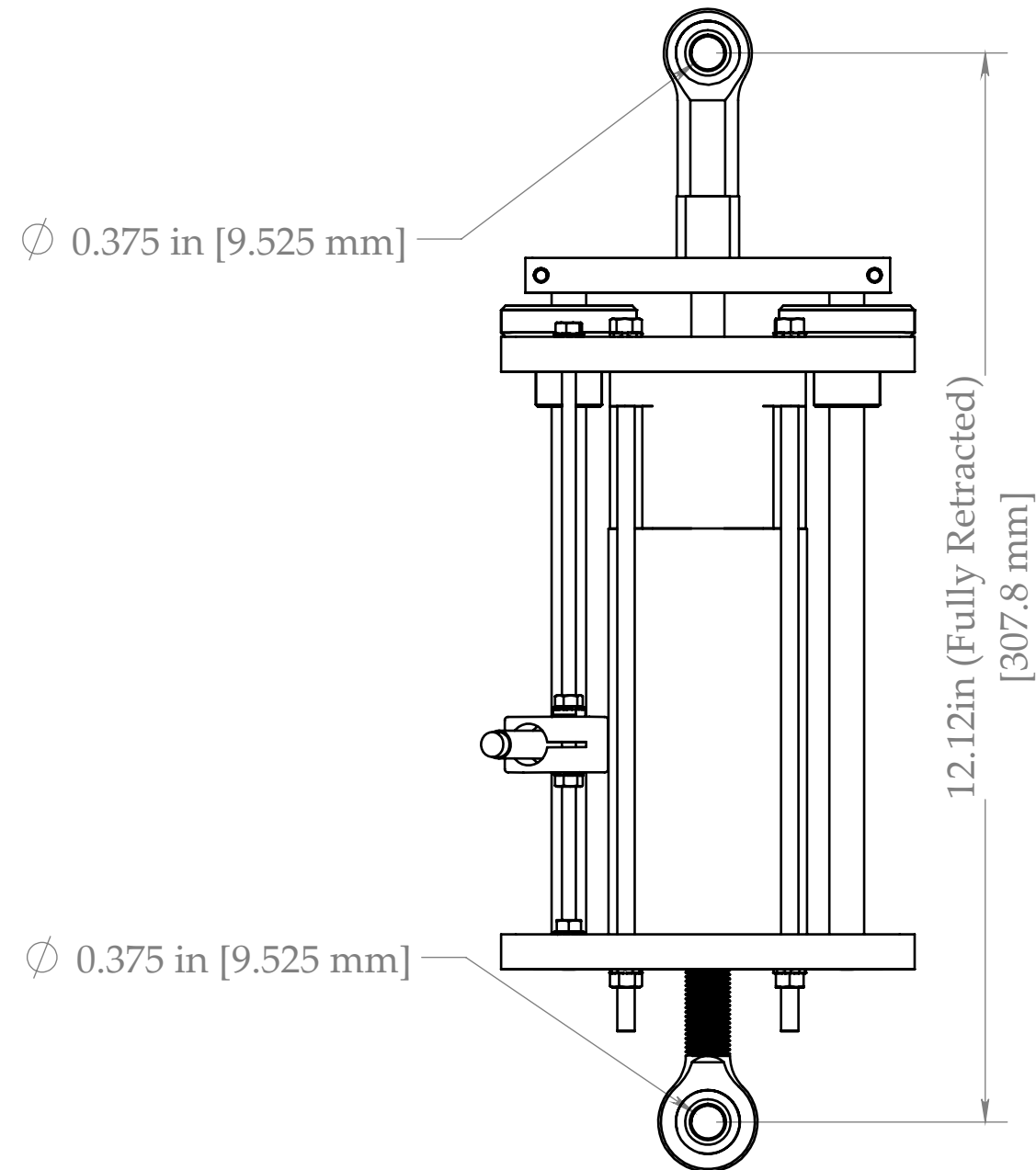
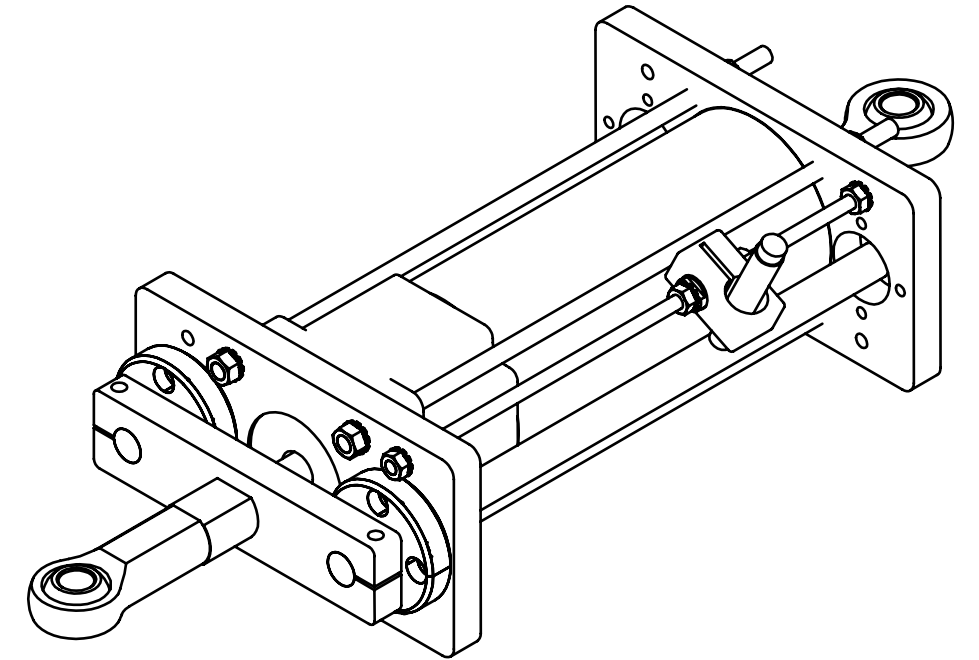
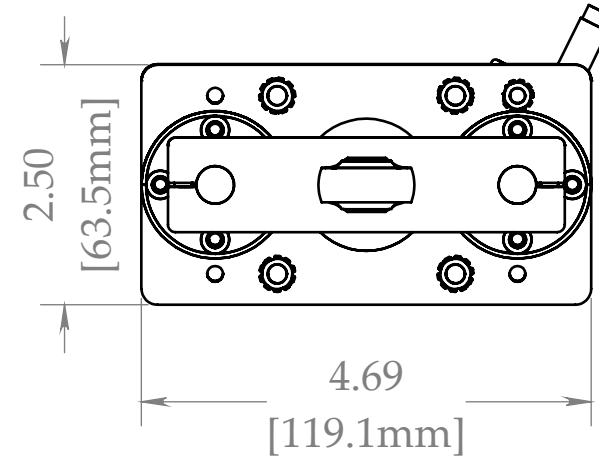


NOTES:

1. INTERPRET DRAWING PER:
ASME Y14.5-2009 DIMENSION AND TOLERANCING.
2. REMOVE ALL BURRS AND SHARP EDGES.
3. ALL SURFACES ARE TO BE FREE OF CONTAMINATES PRIOR TO FINISH OR SHIPPING.
4. BAG OR TAG PART(S) WITH
PART NUMBER, APPLICABLE DASH NUMBER, AND REVISION LEVEL.
5. MATERIAL:
6. FINISH:

REVISIONS			
APPD	DESCRIPTION	DATE	REV



ALL DIMENSIONS ARE; INCHES		Roll-2-Roll Technologies STILLWATER, OKLAHOMA	
TOLERANCES UNLESS NOTED: INCH MILLIMETER X.XX +/- 0.01 X.X +/- 0.3 X.XXX +/- 0.005 X.XX +/- 0.1		TITLE LHS-020-xxxx-TG	
DWG NO	REV	SHEET	
	--		

**ALL INFORMATION ON THIS SHEET IS THE SOLE PROPERTY OF
ROLL-2-ROLL TECHNOLOGIES.**