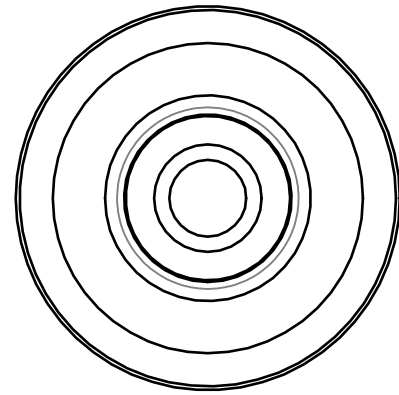
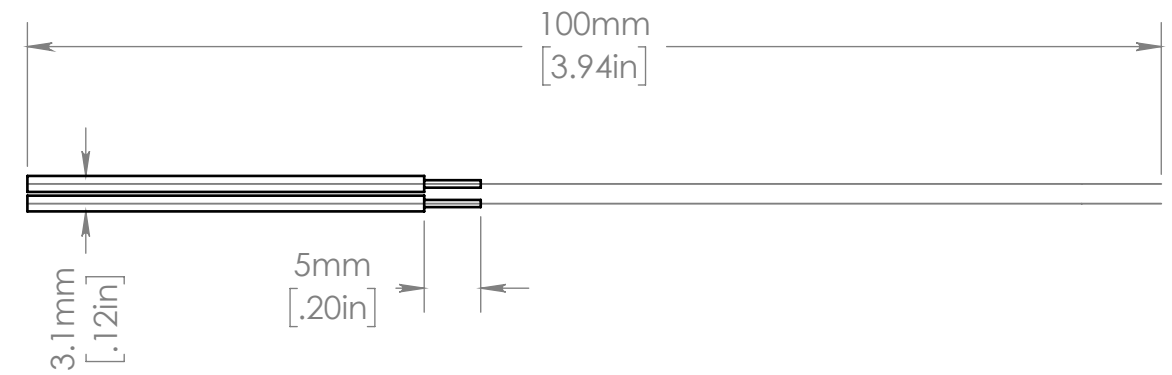
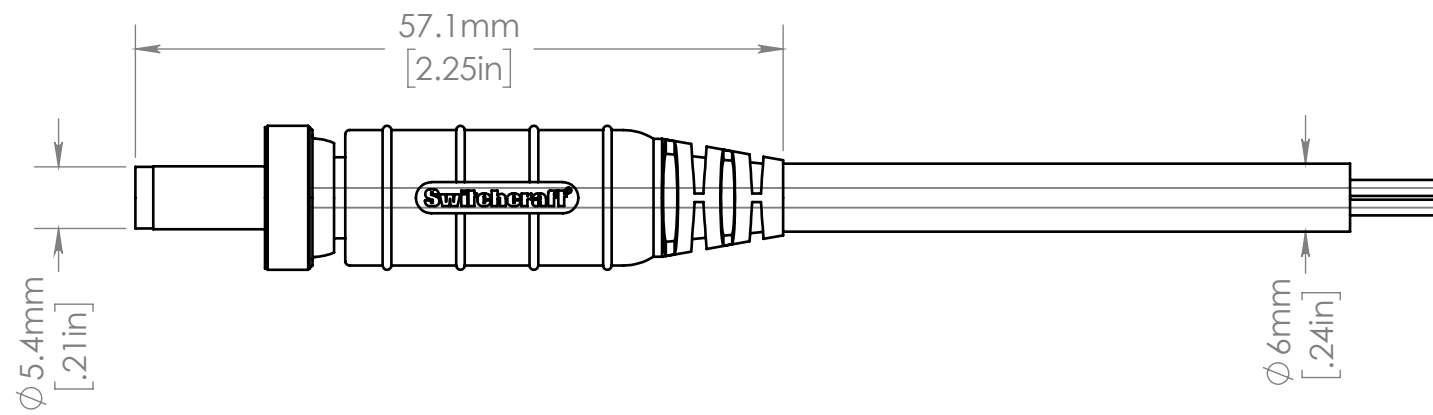


MALE END VIEW



REVISIONS			
APPD	DESCRIPTION	DATE	REV
EC	INITIAL PROTOTYPE RELEASE	12OCT21	--



PROPRIETARY AND CONFIDENTIAL NOTICE
 ALL INFORMATION ON THIS SHEET IS THE SOLE PROPERTY OF;
 ROLL-2-ROLL TECHNOLOGIES.

ALL DIMENSIONS ARE; MM
 TOLERANCES UNLESS NOTED:
 INCH MILLIMETER
 X.XX +/- 0.01 X.X +/- 0.3
 X.XXX +/- 0.005 X.XX +/- 0.1
 THIRD ANGLE PROJECTION

Roll-2-Roll Technologies STILLWATER, OKLAHOMA		
TITLE 24V Power Cable		
DWG NO	REV --	SHEET