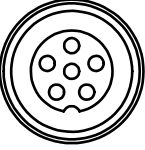
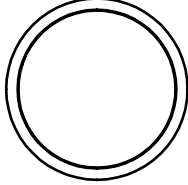
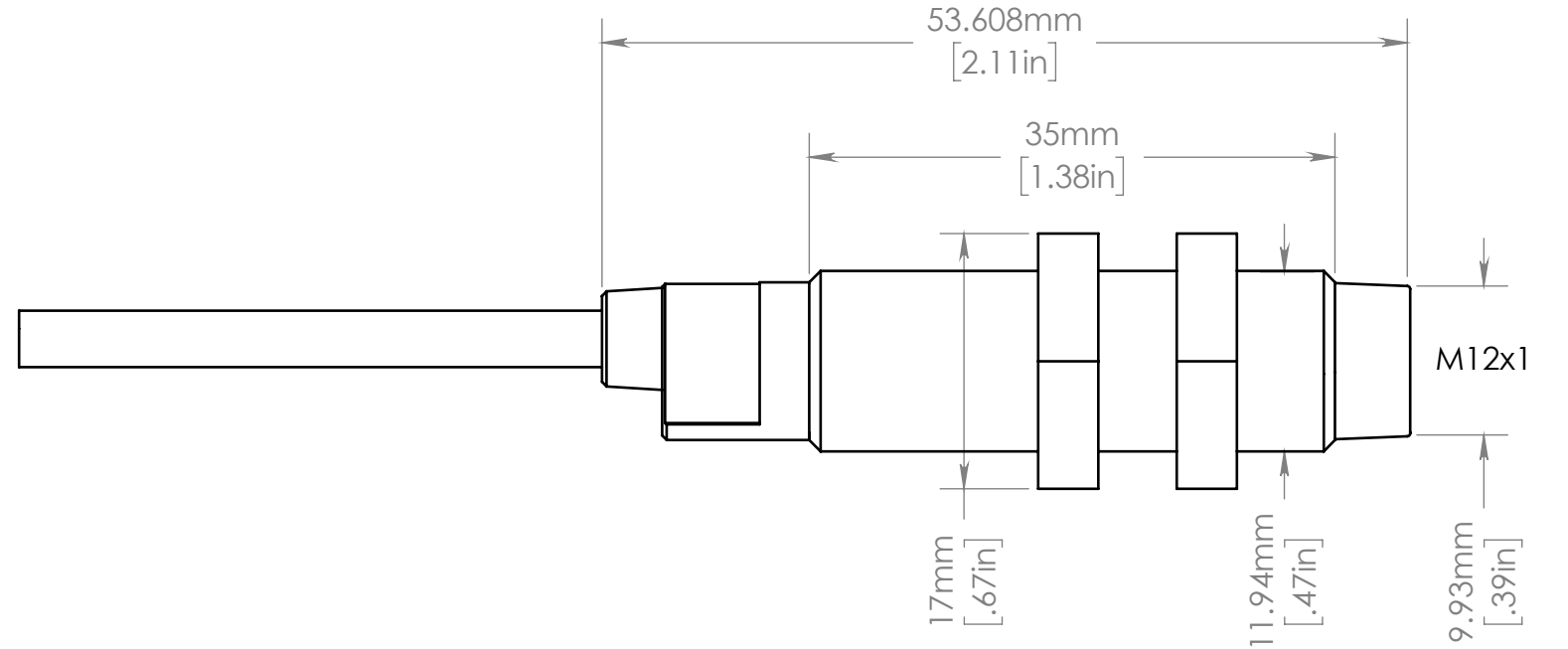
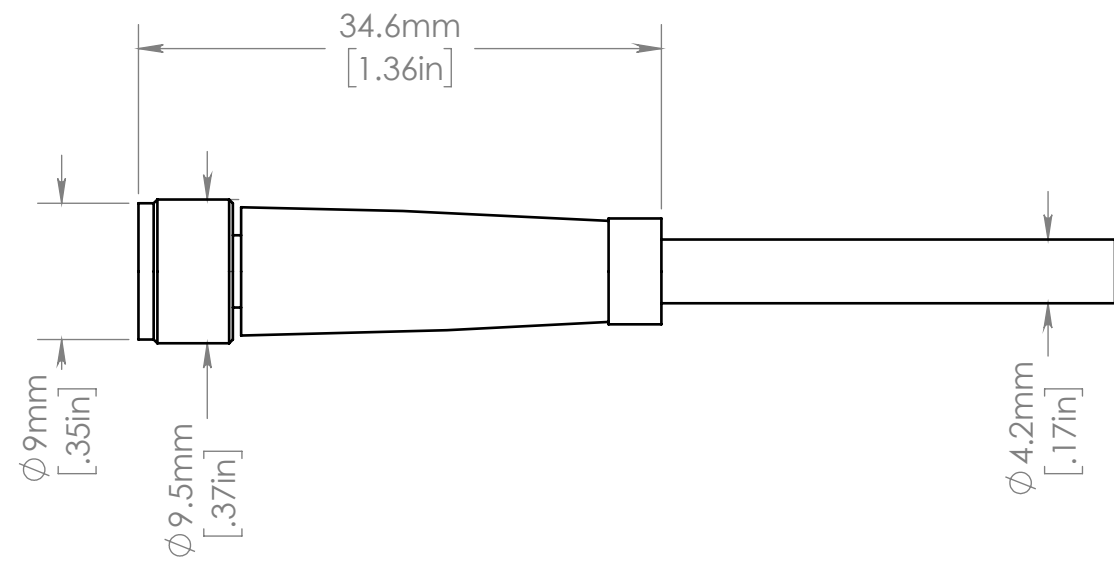


| | |
|--|---|
| FEMALE END VIEW | INDUCTIVE PROXIMITY SENSOR |
|  <ul style="list-style-type: none"> 1 = BROWN 2 = WHITE 3 = BLUE 4 = BLACK 5 = GRAY 6 = PINK |  |

| REVISIONS | | | |
|-----------|---------------------------|---------|-----|
| APPD | DESCRIPTION | DATE | REV |
| EC | INITIAL PROTOTYPE RELEASE | 12OCT21 | -- |



PROPRIETARY AND CONFIDENTIAL NOTICE
ALL INFORMATION ON THIS SHEET IS THE SOLE PROPERTY OF;
ROLL-2-ROLL TECHNOLOGIES.

ALL DIMENSIONS ARE;MM
 TOLERANCES UNLESS NOTED:
 INCH MILLIMETER
 X.XX +/- 0.01 X.X +/- 0.3
 X.XXX +/- 0.005 X.XX +/- 0.1
 THIRD ANGLE PROJECTION

| | |
|---|----------------------------------|
| Roll-2-Roll Technologies STILLWATER, OKLAHOMA | |
| TITLE SERVO CENTER CABLE | |
| DWG NO R2R-3001 | REV -- SHEET 1 / 1 |