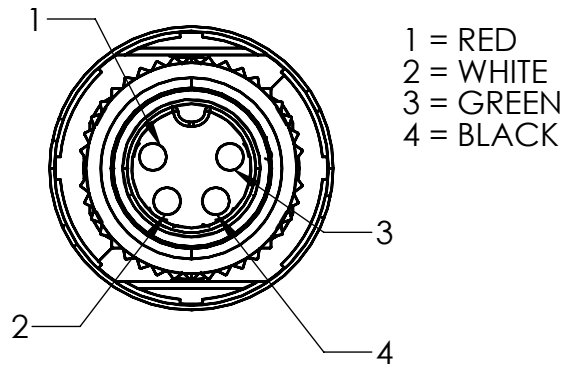
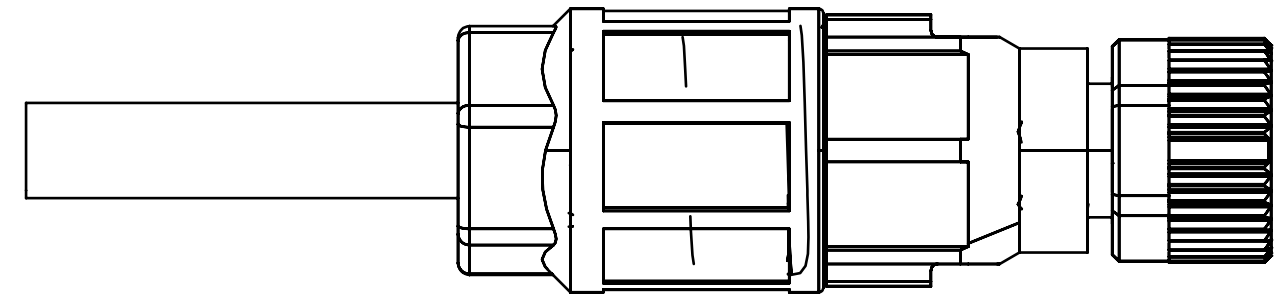
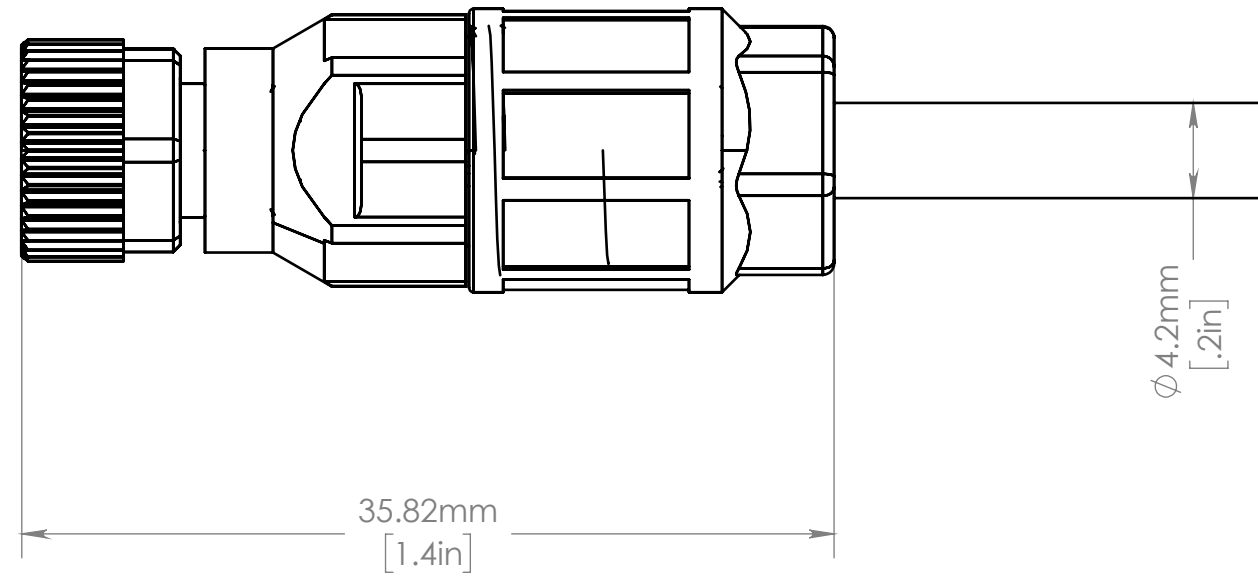


FEMALE END VIEW



REVISIONS			
APPD	DESCRIPTION	DATE	REV
EC	INITIAL PROTOTYPE RELEASE	08OCT21	--



PROPRIETARY AND CONFIDENTIAL NOTICE
ALL INFORMATION ON THIS SHEET IS THE SOLE PROPERTY OF;
ROLL-2-ROLL TECHNOLOGIES.

ALL DIMENSIONS ARE; **MM**
TOLERANCES UNLESS NOTED:
INCH MILLIMETER
X.XX +/- 0.01 X.X +/- 0.3
X.XXX +/- 0.005 X.XX +/- 0.1
THIRD ANGLE PROJECTION

Roll-2-Roll Technologies STILLWATER, OKLAHOMA		
TITLE	MOTOR COMMUNICATION CABLE	
DWG NO	REV	SHEET
	--	1 / 1