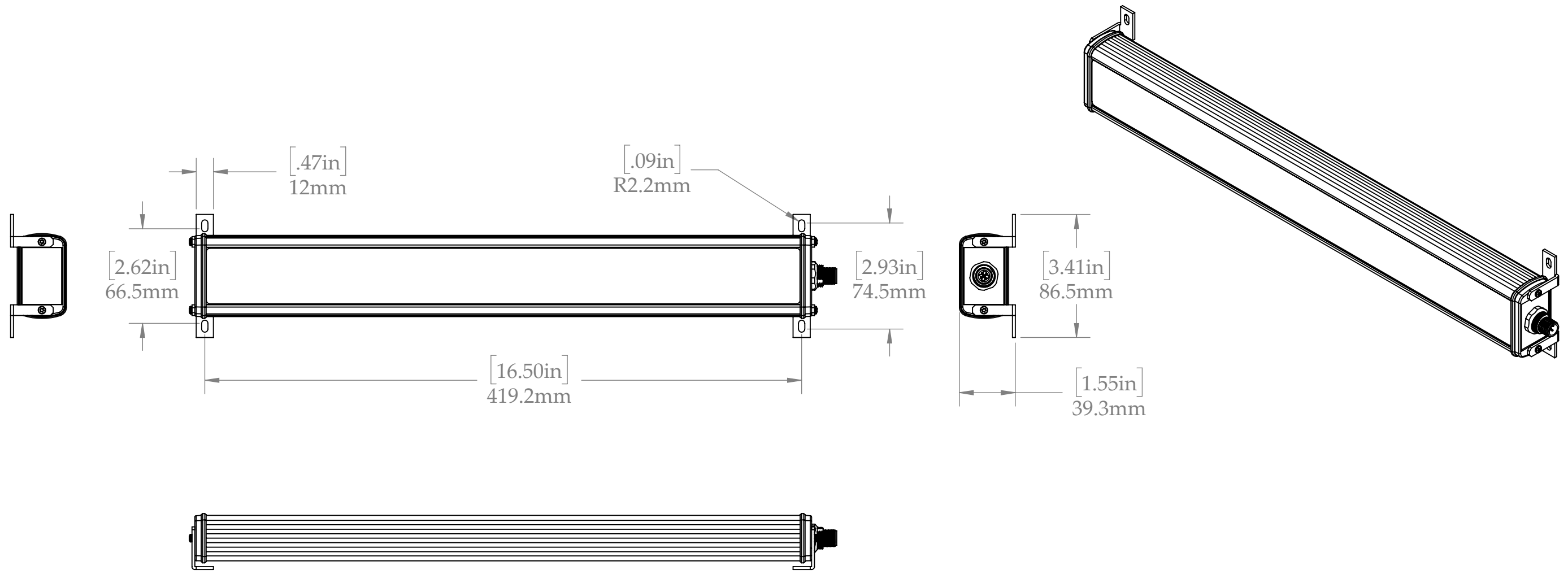


8 7 6 5 4 3 2 1

For reference only, subject to change without notice



UNLESS OTHERWISE SPECIFIED:
ALL DIMENSIONS ARE IN MM

TOLERANCES UNLESS NOTED:
INCH MILLIMETER
X.X ±0.030 X.X ±1
X.XX ±0.015 X.XX ±0.5
X.XXX ±0.005 X.XXX ±0.25

THIRD ANGLE PROJECTION

DO NOT SCALE DRAWING

| | NAME | DATE |
|-----------|------|-----------|
| DRAWN | AS | 20-JUL-21 |
| CHECKED | | |
| ENG APPR. | | |
| MFG APPR. | | |
| Q.A. | | |
| COMMENTS: | | |

| | | |
|---|------------------|--------------|
| Roll-2-Roll Technologies | | |
| Website: https://r2r.tech | | |
| Phone: +1-888-290-3215 | | |
| Email: engineering@r2r.tech | | |
| TITLE: ODC 384-xx QD No Mounting Bracket | | |
| SIZE | DWG. NO. | REV |
| B | ODC 384-xx QD 01 | |
| SCALE: 1:3 | WEIGHT: | SHEET 1 OF 3 |

PROPRIETARY AND CONFIDENTIAL NOTICE
ALL INFORMATION ON THIS SHEET IS THE SOLE PROPERTY OF
Roll-2-Roll Technologies LLC.
All Rights Reserved. © Copyright 2023.

8 7 6 5 4 3 2 1

D

D

C

C

B

B

A

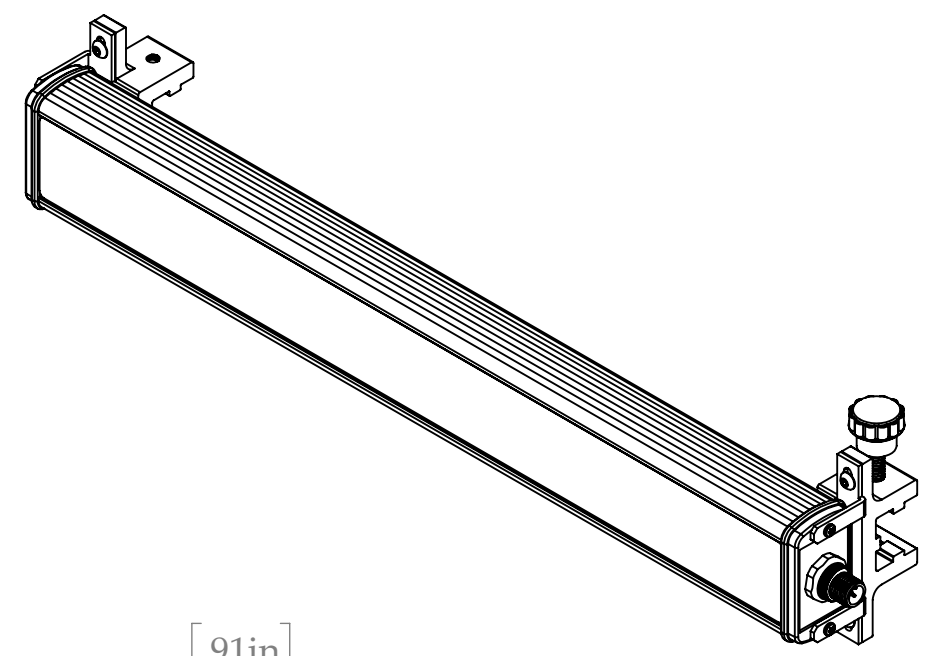
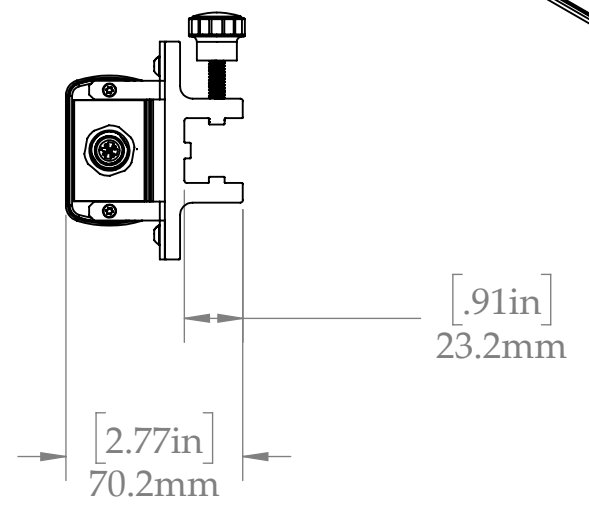
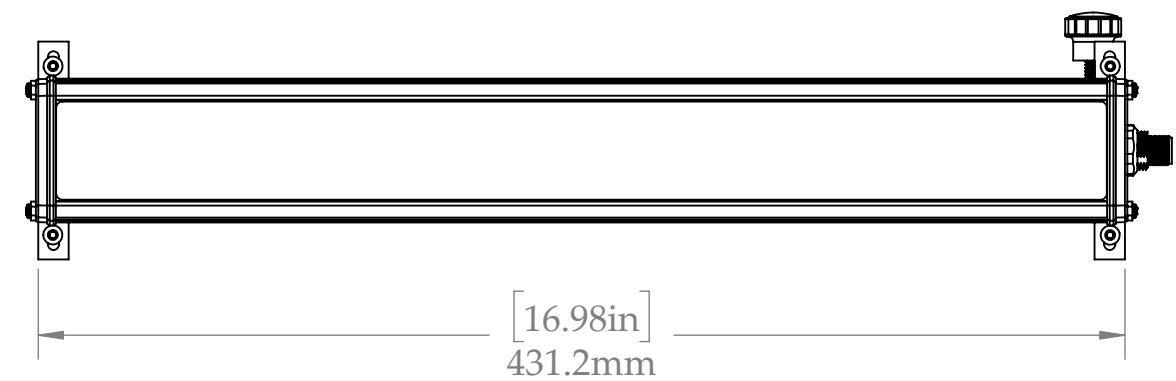
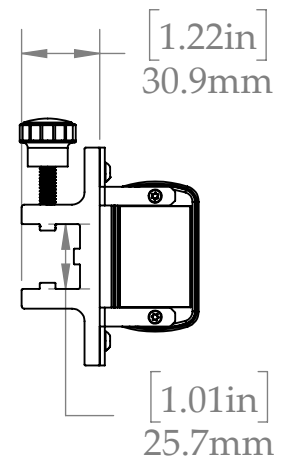
A

8 7 6 5 4 3 2 1

For reference only, subject to change without notice

D

D

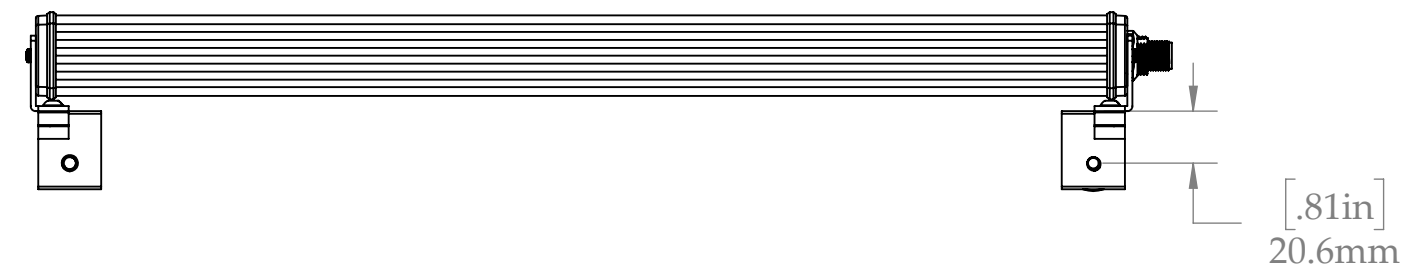


C

C

B

B



A

A

PROPRIETARY AND CONFIDENTIAL NOTICE
ALL INFORMATION ON THIS SHEET IS THE SOLE PROPERTY OF
Roll-2-Roll Technologies LLC.
All Rights Reserved. © Copyright 2023.



UNLESS OTHERWISE SPECIFIED:
 ALL DIMENSIONS ARE IN MM

TOLERANCES UNLESS NOTED:
 INCH MILLIMETER
 X.X ±0.030 X.X ±1
 X.XX ±0.015 X.XX ±0.5
 X.XXX ±0.005 X.XXX ±0.25

THIRD ANGLE PROJECTION

DO NOT SCALE DRAWING

| | NAME | DATE |
|-----------|------|-----------|
| DRAWN | AS | 20-JUL-21 |
| CHECKED | | |
| ENG APPR. | | |
| MFG APPR. | | |
| Q.A. | | |
| COMMENTS: | | |

| | | |
|---|------------------|--------------|
| Roll-2-Roll Technologies | | |
| Website: https://r2r.tech | | |
| Phone: +1-888-290-3215 | | |
| Email: engineering@r2r.tech | | |
| TITLE: ODC 384-xx QD 1in Mounting Bracket | | |
| SIZE | DWG. NO. | REV |
| B | ODC 384-xx QD 02 | |
| SCALE: 1:3 | WEIGHT: | SHEET 2 OF 3 |

8 7 6 5 4 3 2 1

8 7 6 5 4 3 2 1

For reference only, subject to change without notice

D

D

C

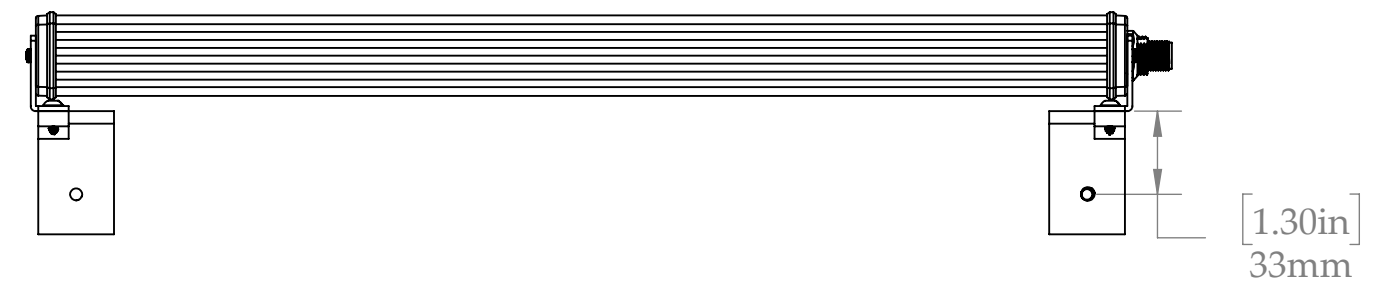
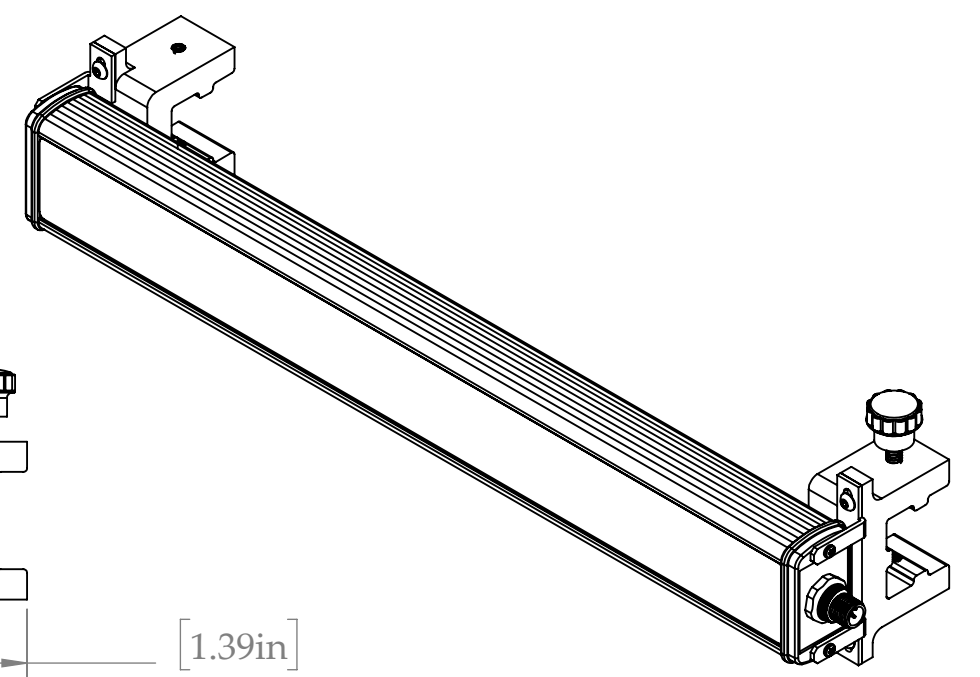
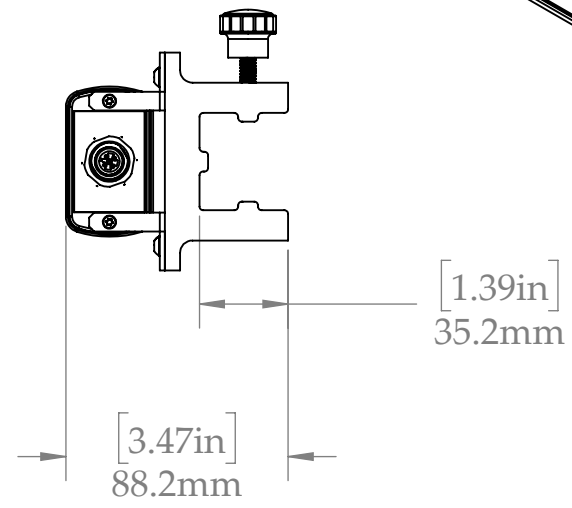
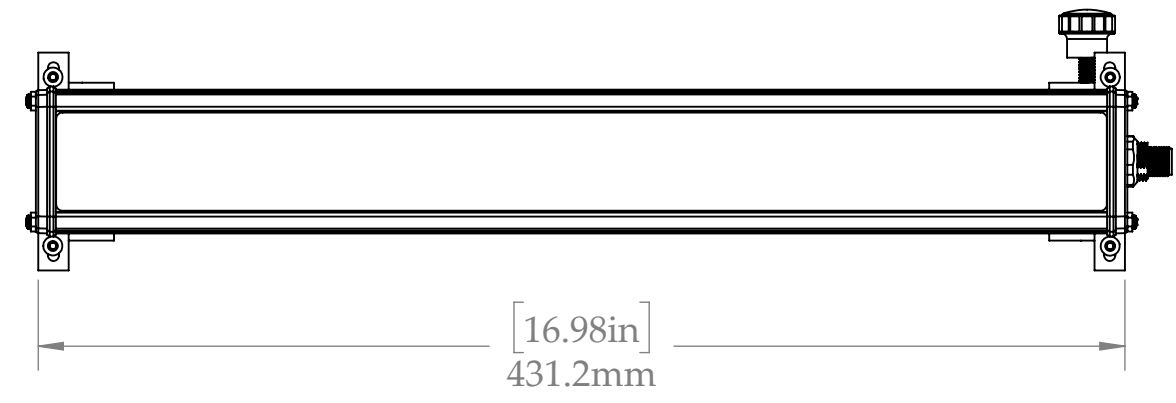
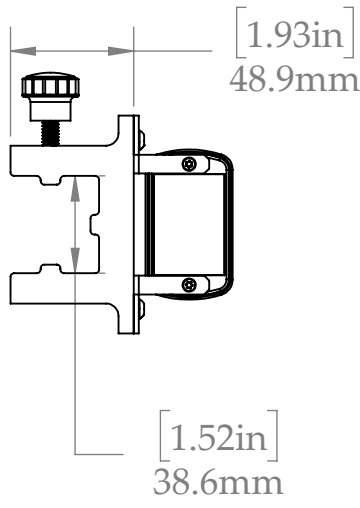
C

B

B

A

A



PROPRIETARY AND CONFIDENTIAL NOTICE
 ALL INFORMATION ON THIS SHEET IS THE SOLE PROPERTY OF
 Roll-2-Roll Technologies LLC.
 All Rights Reserved. © Copyright 2023.



UNLESS OTHERWISE SPECIFIED:
 ALL DIMENSIONS ARE IN MM
 TOLERANCES UNLESS NOTED:
 INCH MILLIMETER
 X.X ±0.030 X.X ±1
 X.XX ±0.015 X.XX ±0.5
 X.XXX ±0.005 X.XXX ±0.25
 THIRD ANGLE PROJECTION
 DO NOT SCALE DRAWING

| | NAME | DATE |
|-----------|------|-----------|
| DRAWN | AS | 20-JUL-21 |
| CHECKED | | |
| ENG APPR. | | |
| MFG APPR. | | |
| Q.A. | | |
| COMMENTS: | | |

| | | |
|---|------------------|--------------|
| Roll-2-Roll Technologies | | |
| Website: https://r2r.tech | | |
| Phone: +1-888-290-3215 | | |
| Email: engineering@r2r.tech | | |
| TITLE: ODC 384-xx QD 1.5in Mounting Bracket | | |
| SIZE | DWG. NO. | REV |
| B | ODC 384-xx QD 03 | |
| SCALE: 1:3 | WEIGHT: | SHEET 3 OF 3 |

8 7 6 5 4 3 2 1