

8

7

6

5

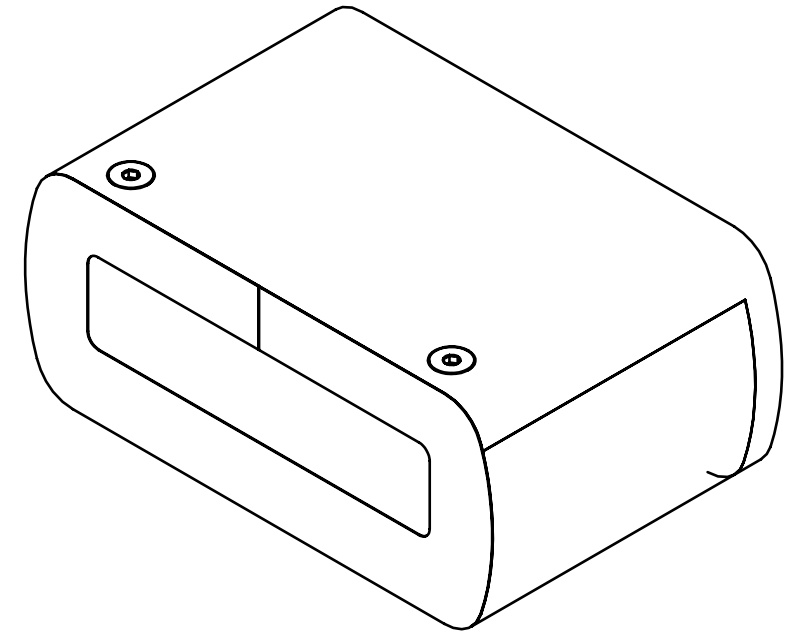
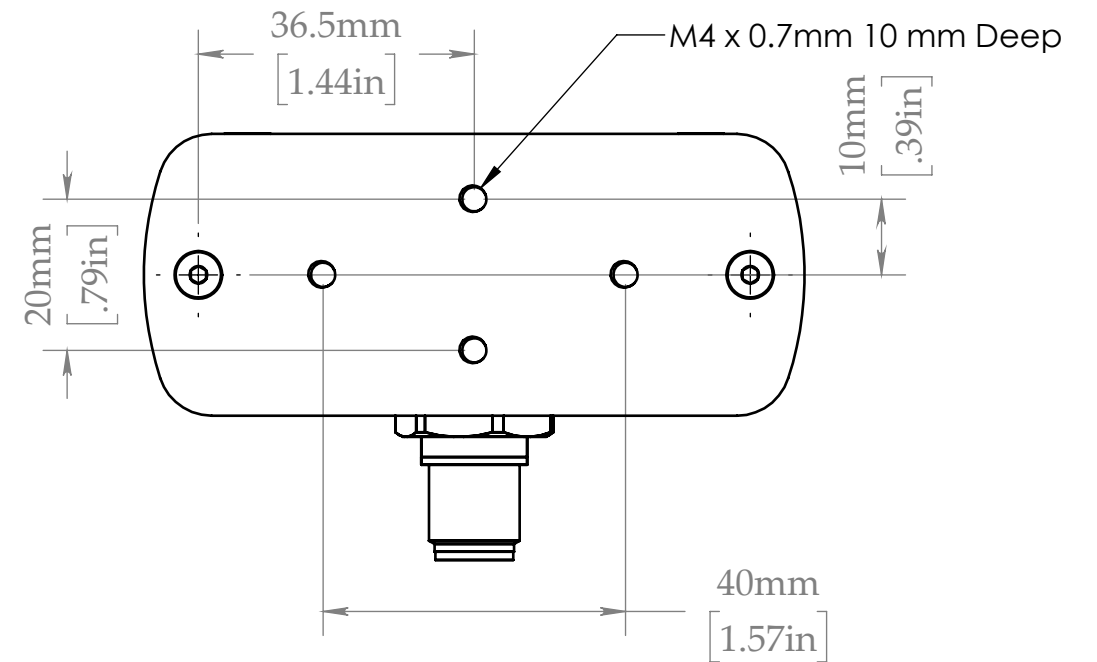
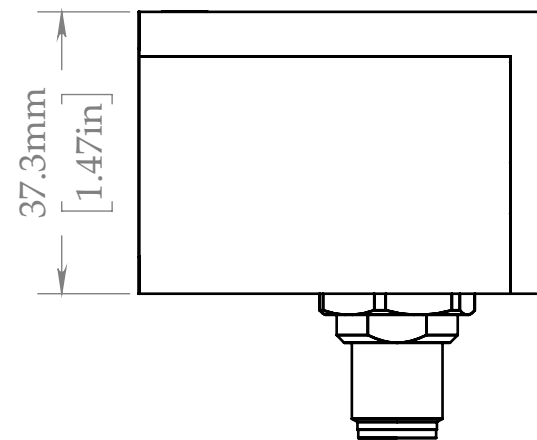
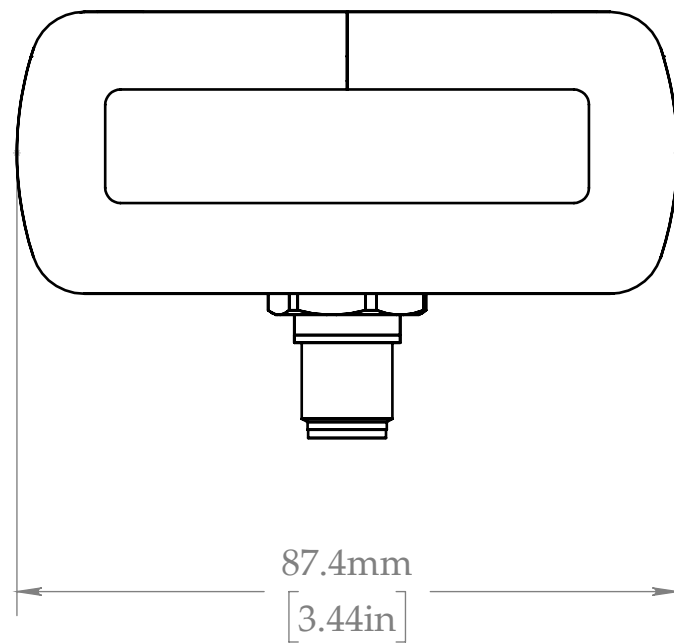
4

3

2

1

For reference only, subject to change without notice



PROPRIETARY AND CONFIDENTIAL NOTICE
 ALL INFORMATION ON THIS SHEET IS THE SOLE PROPERTY OF
 Roll-2-Roll Technologies LLC.
 All Rights Reserved. © Copyright 2023.



UNLESS OTHERWISE SPECIFIED:

ALL DIMENSIONS ARE IN MM

TOLERANCES UNLESS NOTED:

INCH	MILLIMETER
X.X ± 0.030	X.X ± 1
X.XX ± 0.015	X.XX ± 0.5
X.XXX ± 0.005	X.XXX ± 0.25

THIRD ANGLE PROJECTION

DO NOT SCALE DRAWING

	NAME	DATE
DRAWN	AS	20-JUL-21
CHECKED		
ENG APPR.		
MFG APPR.		
Q.A.		
COMMENTS:		

Roll-2-Roll Technologies
 Website: <https://r2r.tech>
 Phone: +1-888-290-3215
 Email: engineering@r2r.tech

TITLE: ODC 48-xx QD
 No Mounting Bracket

SIZE	DWG. NO.	REV
B	ODC 48-xx QD 01	

SCALE: 1:1 WEIGHT: SHEET 1 OF 3

8

7

6

5

4

3

2

1

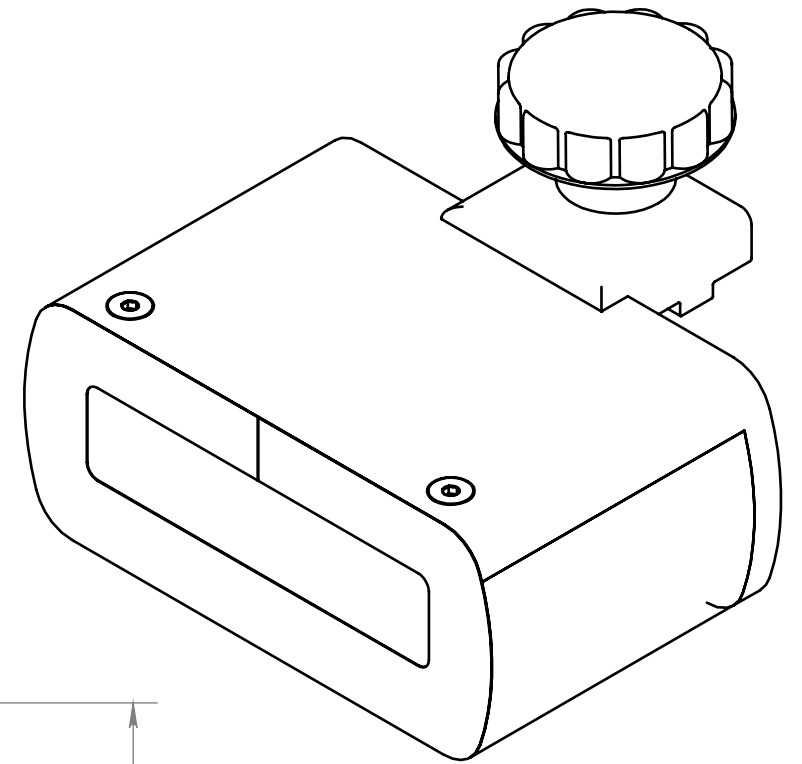
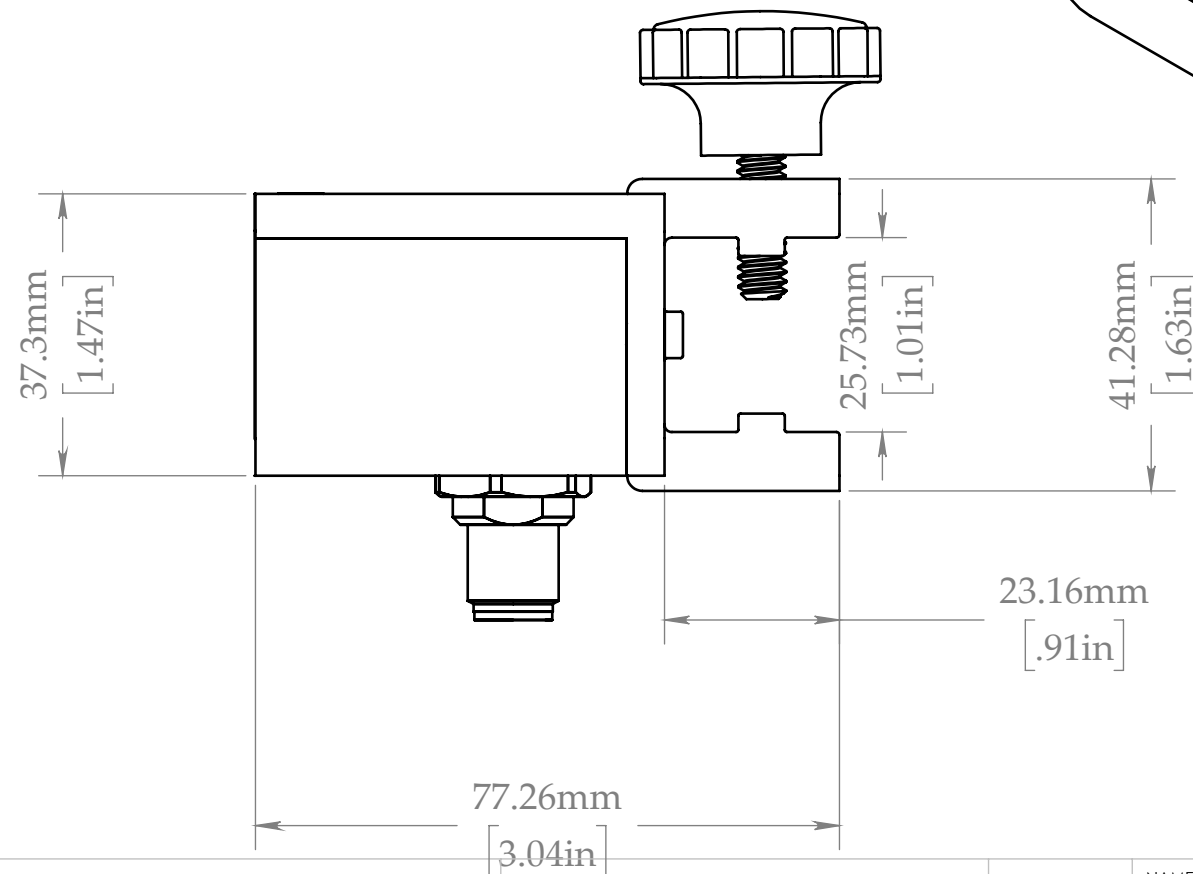
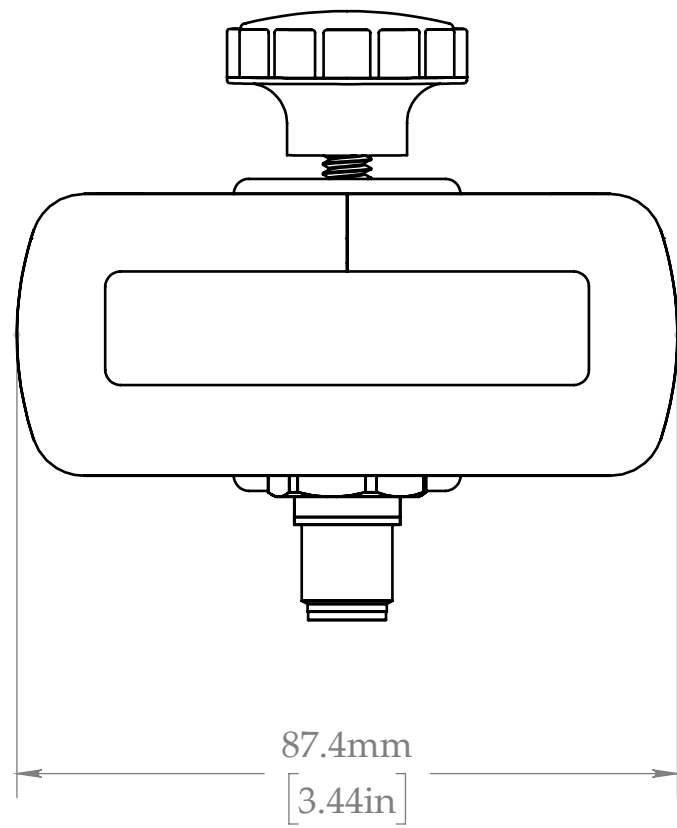
D

C

B

A

For reference only, subject to change without notice



PROPRIETARY AND CONFIDENTIAL NOTICE
 ALL INFORMATION ON THIS SHEET IS THE SOLE PROPERTY OF
 Roll-2-Roll Technologies LLC.
 All Rights Reserved. © Copyright 2023.



UNLESS OTHERWISE SPECIFIED:

ALL DIMENSIONS ARE IN MM

TOLERANCES UNLESS NOTED:

INCH	MILLIMETER
X.X ± 0.030	X.X ± 1
X.XX ± 0.015	X.XX ± 0.5
X.XXX ± 0.005	X.XXX ± 0.25

THIRD ANGLE PROJECTION

DO NOT SCALE DRAWING

	NAME	DATE
DRAWN	AS	20-JUL-21
CHECKED		
ENG APPR.		
MFG APPR.		
Q.A.		
COMMENTS:		

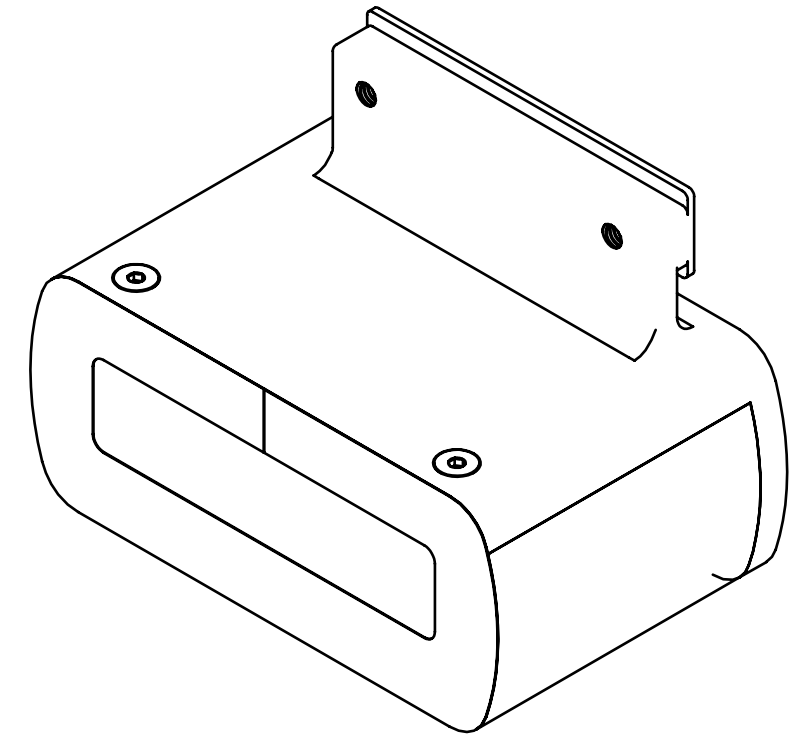
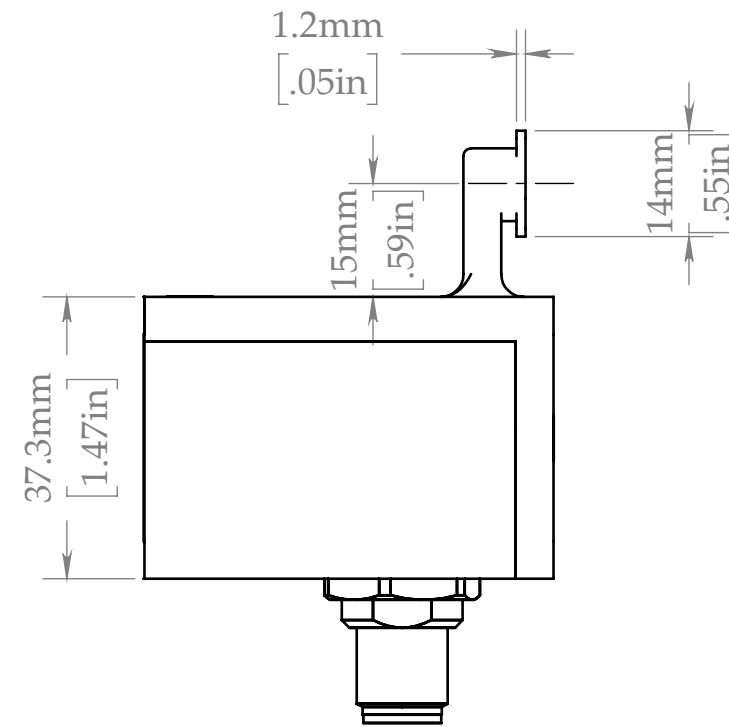
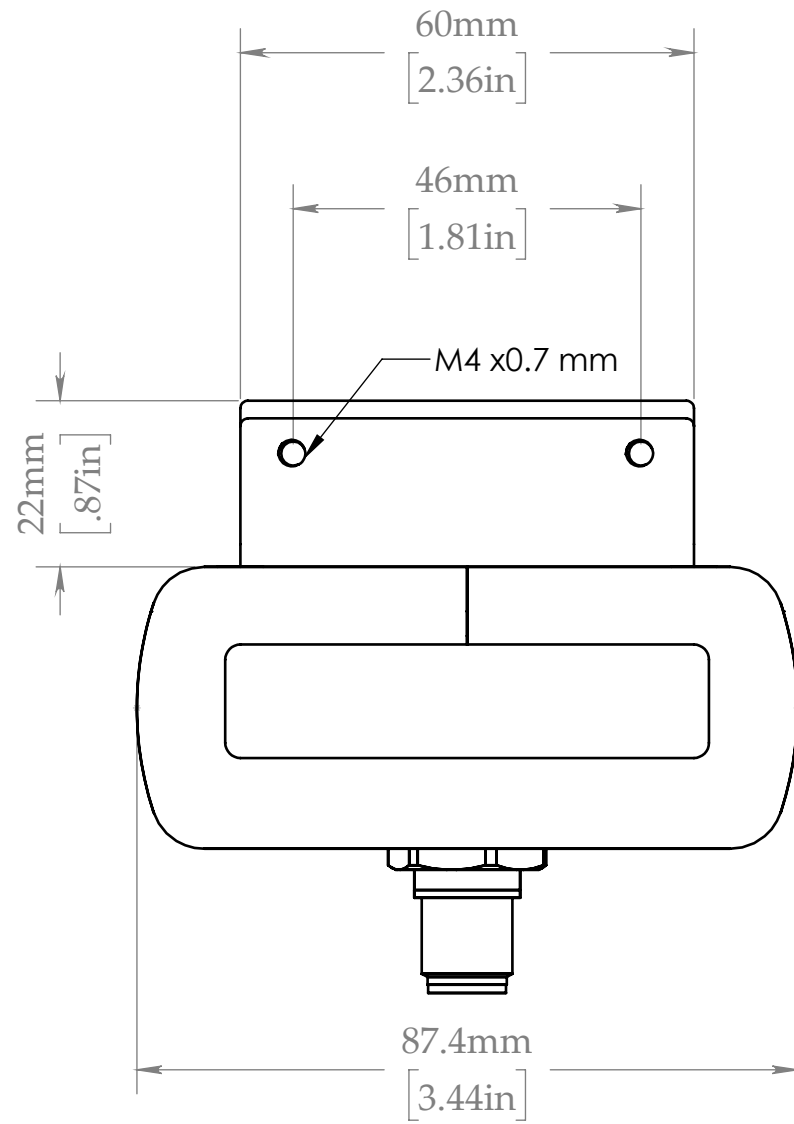
Roll-2-Roll Technologies
 Website: <https://r2r.tech>
 Phone: +1-888-290-3215
 Email: engineering@r2r.tech

TITLE: ODC 48-xx QD
 1in Mounting Bracket

SIZE	DWG. NO.	REV
B	ODC 48-xx QD 02	

SCALE: 1:1 WEIGHT: SHEET 2 OF 3

For reference only, subject to change without notice



PROPRIETARY AND CONFIDENTIAL NOTICE
ALL INFORMATION ON THIS SHEET IS THE SOLE PROPERTY OF
Roll-2-Roll Technologies LLC.
All Rights Reserved. © Copyright 2023.



UNLESS OTHERWISE SPECIFIED:
ALL DIMENSIONS ARE IN MM
TOLERANCES UNLESS NOTED:
INCH MILLIMETER
X.X ±0.030 X.X ±1
X.XX ±0.015 X.XX ±0.5
X.XXX ±0.005 X.XXX ±0.25
THIRD ANGLE PROJECTION
DO NOT SCALE DRAWING

	NAME	DATE
DRAWN	AS	20-JUL-21
CHECKED		
ENG APPR.		
MFG APPR.		
Q.A.		
COMMENTS:		

Roll-2-Roll Technologies
Website: <https://r2r.tech>
Phone: +1-888-290-3215
Email: engineering@r2r.tech

TITLE: ODC 48-xx QD
NW-17 Mounting Bracket

SIZE	DWG. NO.	REV
B	ODC 48-xx QD 03	
SCALE: 1:1	WEIGHT:	SHEET 3 OF 3