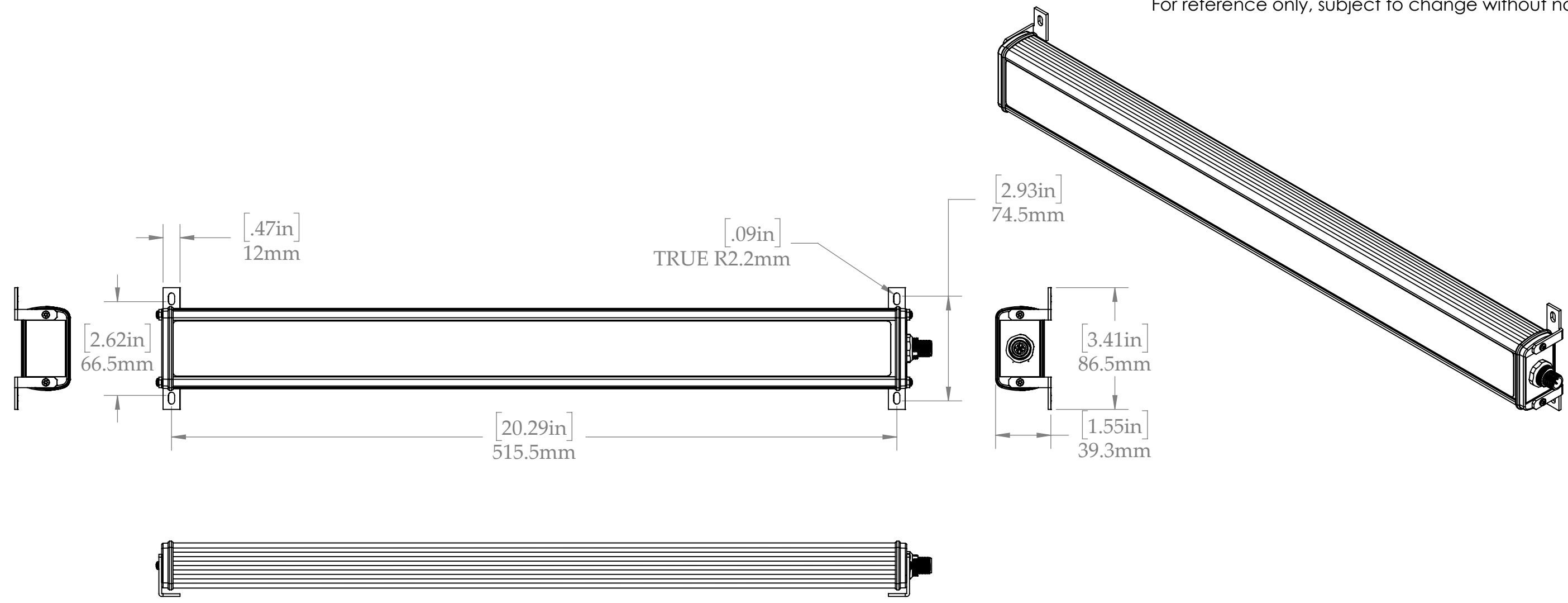


8 7 6 5 4 3 2 1

For reference only, subject to change without notice



PROPRIETARY AND CONFIDENTIAL NOTICE
 ALL INFORMATION ON THIS SHEET IS THE SOLE PROPERTY OF
 Roll-2-Roll Technologies LLC.
 All Rights Reserved. © Copyright 2023.



UNLESS OTHERWISE SPECIFIED:
 ALL DIMENSIONS ARE IN MM

TOLERANCES UNLESS NOTED:
 INCH MILLIMETER
 X.X ±0.030 X.X ±1
 X.XX ±0.015 X.XX ±0.5
 X.XXX ±0.005 X.XXX ±0.25

THIRD ANGLE PROJECTION

DO NOT SCALE DRAWING

	NAME	DATE
DRAWN	AS	20-JUL-21
CHECKED		
ENG APPR.		
MFG APPR.		
Q.A.		
COMMENTS:		

Roll-2-Roll Technologies		
Website: https://r2r.tech		
Phone: +1-888-290-3215		
Email: engineering@r2r.tech		
TITLE: ODC 480-xx QD No Mounting Bracket		
SIZE	DWG. NO.	REV
B	ODC 480-xx QD 01	
SCALE: 1:3	WEIGHT:	SHEET 1 OF 3

8 7 6 5 4 3 2 1

D
C
B
A

D
C
B
A

8 7 6 5 4 3 2 1

For reference only, subject to change without notice

D

D

C

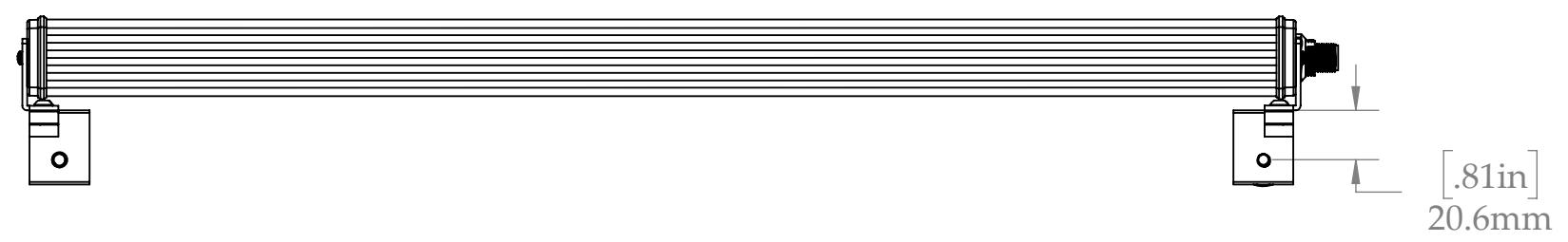
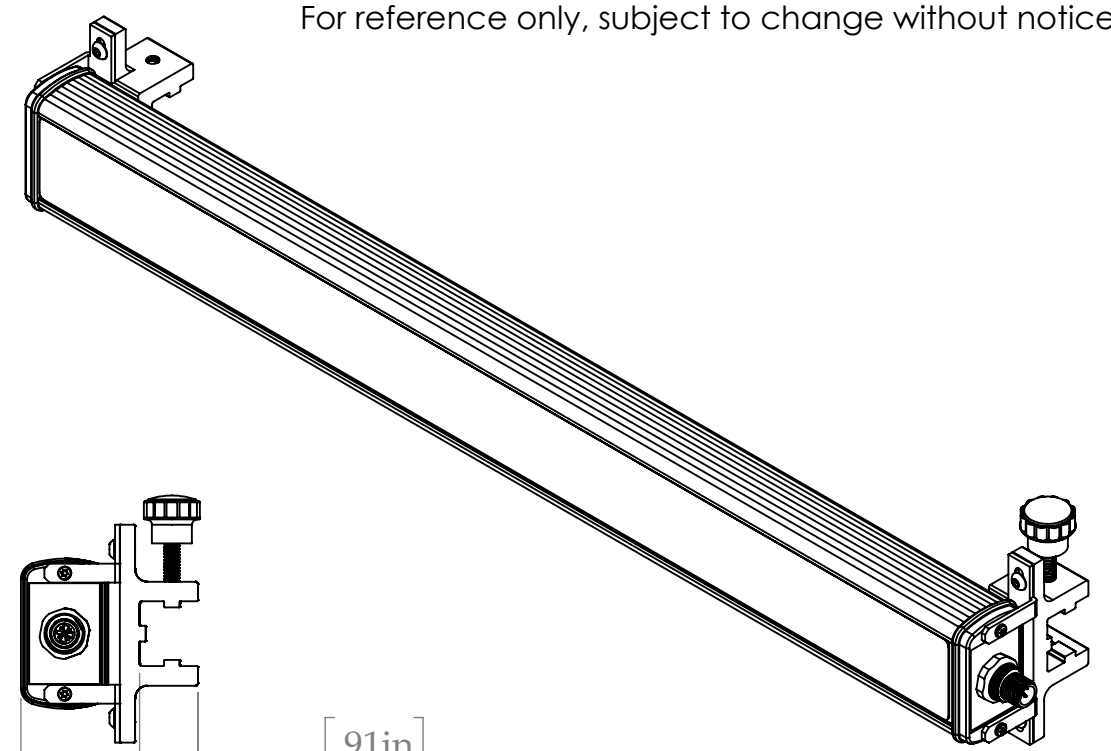
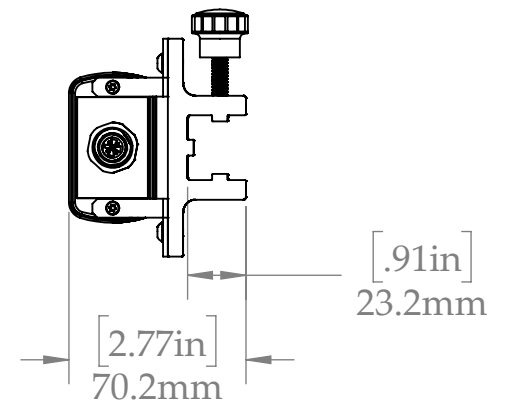
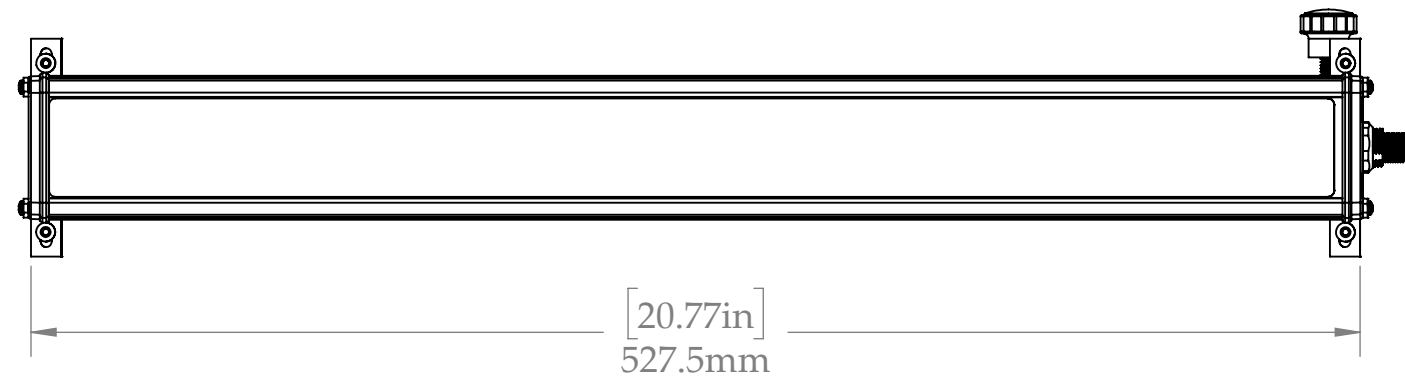
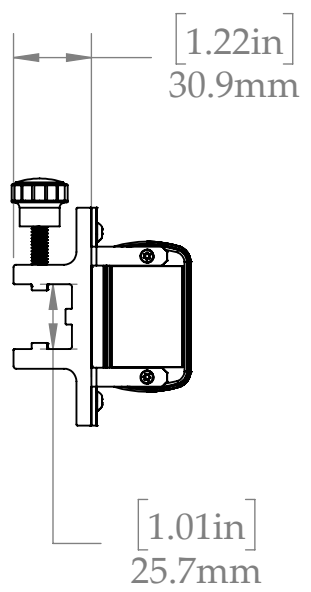
C

B

B

A

A



PROPRIETARY AND CONFIDENTIAL NOTICE
 ALL INFORMATION ON THIS SHEET IS THE SOLE PROPERTY OF
 Roll-2-Roll Technologies LLC.
 All Rights Reserved. © Copyright 2023.



UNLESS OTHERWISE SPECIFIED:
 ALL DIMENSIONS ARE IN MM
 TOLERANCES UNLESS NOTED:
 INCH MILLIMETER
 X.X ±0.030 X.X ±1
 X.XX ±0.015 X.XX ±0.5
 X.XXX ±0.005 X.XXX ±0.25
 THIRD ANGLE PROJECTION
 DO NOT SCALE DRAWING

	NAME	DATE
DRAWN	AS	20-JUL-21
CHECKED		
ENG APPR.		
MFG APPR.		
Q.A.		
COMMENTS:		

Roll-2-Roll Technologies		
Website: https://r2r.tech		
Phone: +1-888-290-3215		
Email: engineering@r2r.tech		
TITLE: ODC 480-xx QD 1in Mounting Bracket		
SIZE	DWG. NO.	REV
B	ODC 480-xx QD 02	
SCALE: 1:3	WEIGHT:	SHEET 2 OF 3

8 7 6 5 4 3 2 1

8 7 6 5 4 3 2 1

D

D

C

C

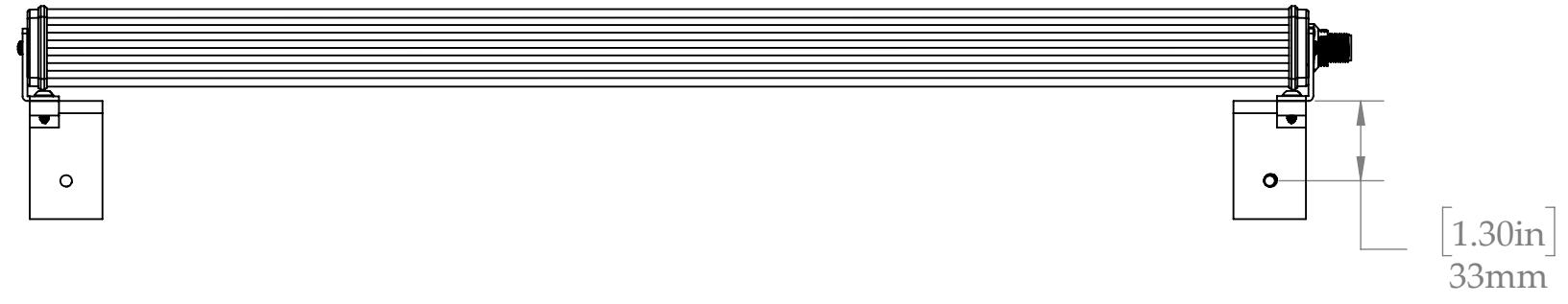
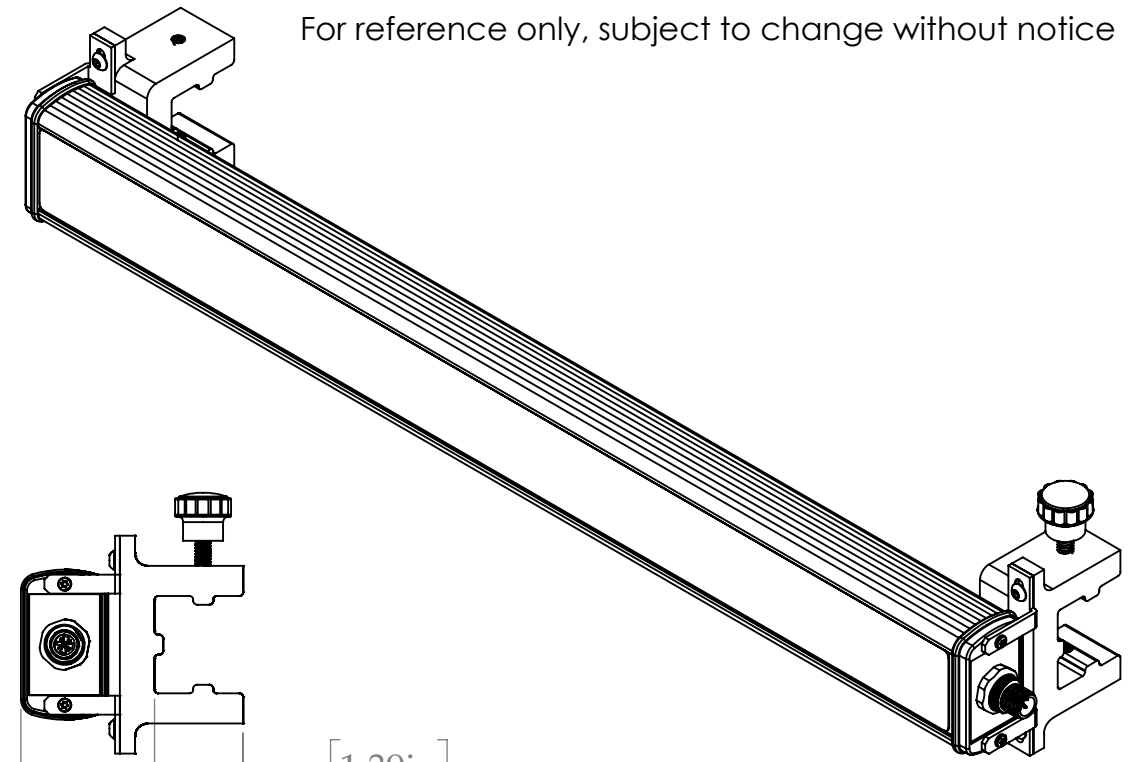
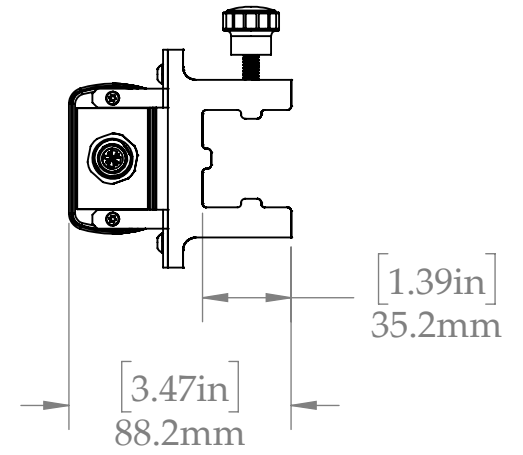
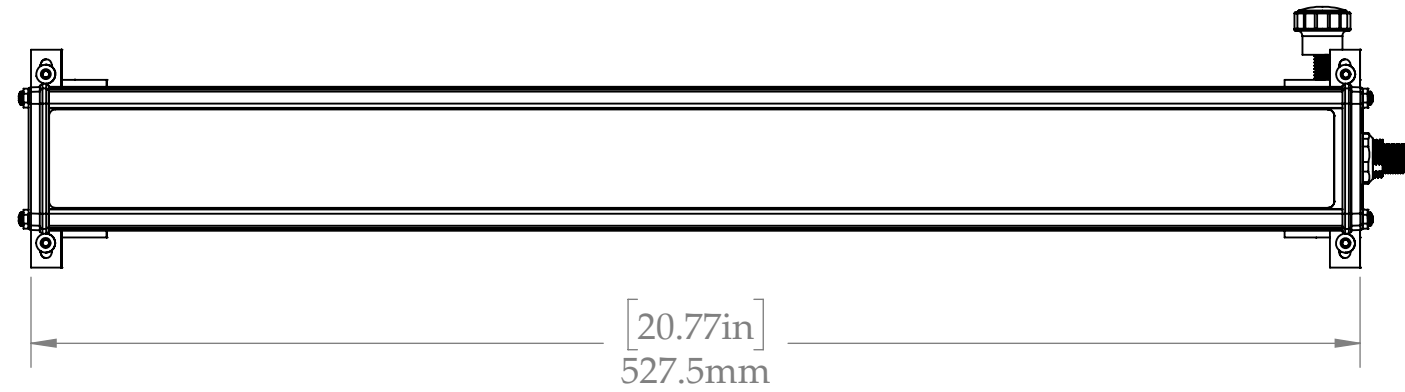
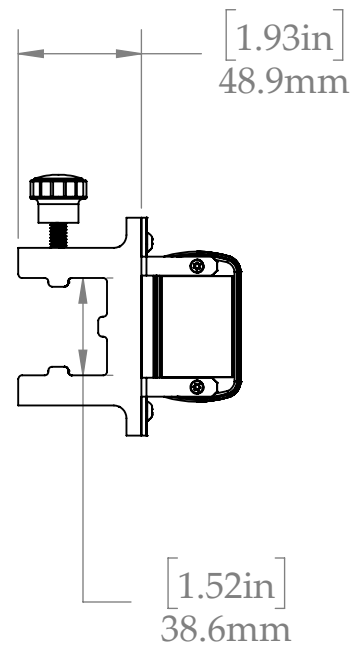
B

B

A

A

For reference only, subject to change without notice



PROPRIETARY AND CONFIDENTIAL NOTICE
ALL INFORMATION ON THIS SHEET IS THE SOLE PROPERTY OF
Roll-2-Roll Technologies LLC.
All Rights Reserved. © Copyright 2023.



UNLESS OTHERWISE SPECIFIED:
 ALL DIMENSIONS ARE IN MM

TOLERANCES UNLESS NOTED:
 INCH MILLIMETER
 X.X ±0.030 X.X ±1
 X.XX ±0.015 X.XX ±0.5
 X.XXX ±0.005 X.XXX ±0.25

THIRD ANGLE PROJECTION

DO NOT SCALE DRAWING

	NAME	DATE
DRAWN	AS	20-JUL-21
CHECKED		
ENG APPR.		
MFG APPR.		
Q.A.		
COMMENTS:		

Roll-2-Roll Technologies
Website: <https://r2r.tech>
Phone: +1-888-290-3215
Email: engineering@r2r.tech

TITLE: ODC 480-xx QD
 1in Mounting Bracket

SIZE	DWG. NO.	REV
B	ODC 480-xx QD 02	

SCALE: 1:3 WEIGHT: SHEET 3 OF 3

8 7 6 5 4 3 2 1