

8

7

6

5

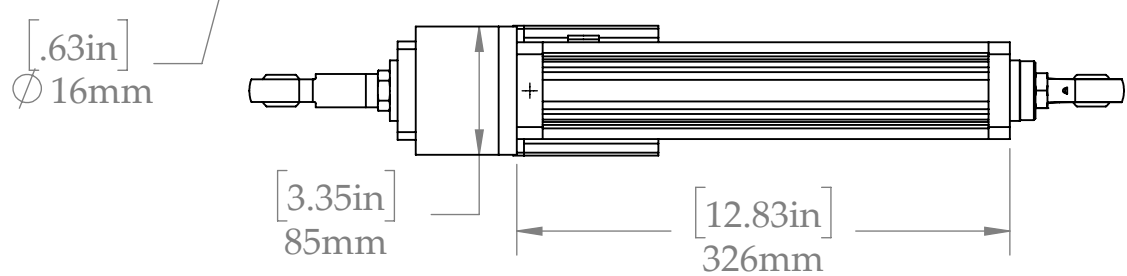
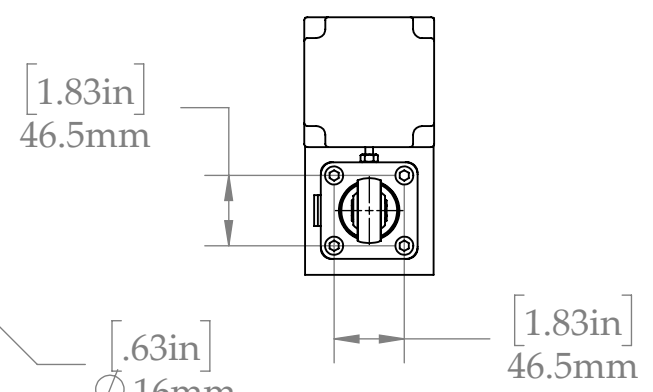
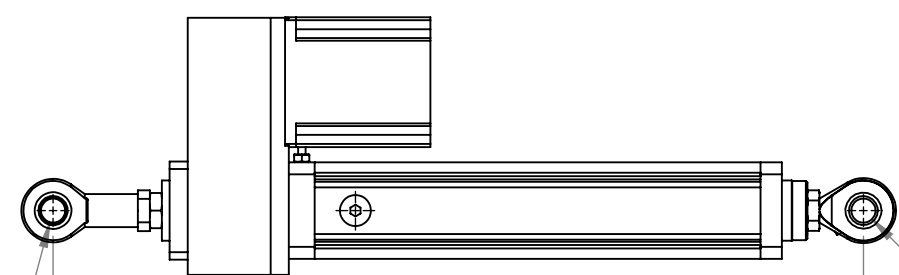
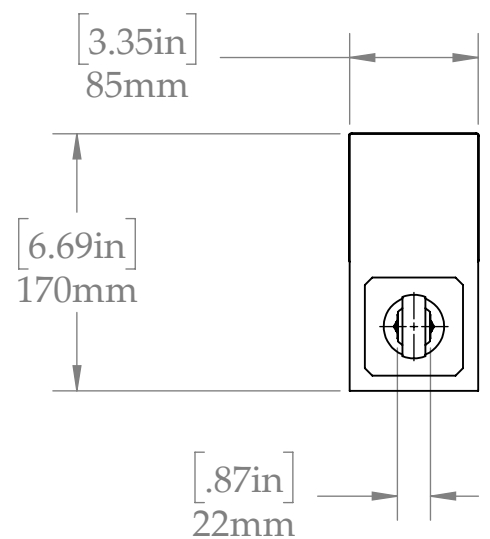
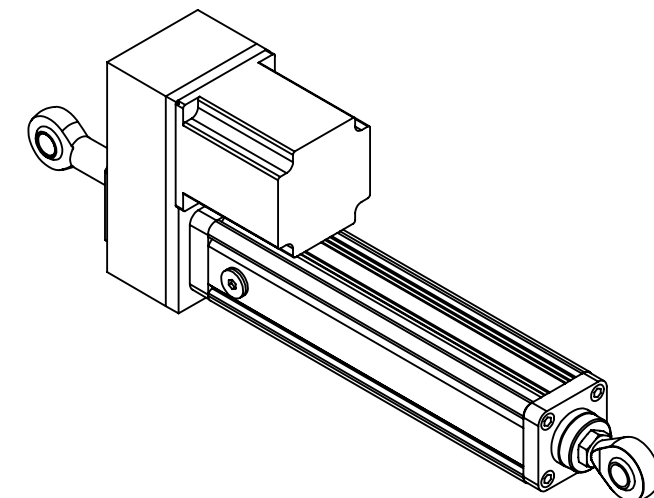
4

3

2

1

For reference only, subject to change without notice



[.63in] \varnothing 16mm

[.63in] \varnothing 16mm

PROPRIETARY AND CONFIDENTIAL NOTICE
 ALL INFORMATION ON THIS SHEET IS THE SOLE PROPERTY OF
 Roll-2-Roll Technologies LLC.
 All Rights Reserved. © Copyright 2023.



UNLESS OTHERWISE SPECIFIED:
 ALL DIMENSIONS ARE IN MM
 TOLERANCES UNLESS NOTED:
 INCH MILLIMETER
 X.X ± 0.030 X.X ± 1
 X.XX ± 0.015 X.XX ± 0.5
 X.XXX ± 0.005 X.XXX ± 0.25
 THIRD ANGLE PROJECTION
 DO NOT SCALE DRAWING

	NAME	DATE
DRAWN	AS	03-JAN-23
CHECKED		
ENG APPR.		
MFG APPR.		
Q.A.		
COMMENTS:		

Roll-2-Roll Technologies		
Website: https://r2r.tech		
Phone: +1-888-290-3215		
Email: engineering@r2r.tech		
TITLE: RLA-050-0600-TG		
SIZE	DWG. NO.	REV
B	RLA-050-0600-TG	
SCALE: 1:5	WEIGHT:	SHEET 1 OF 1

8

7

6

5

4

3

2

1