

8

7

6

5

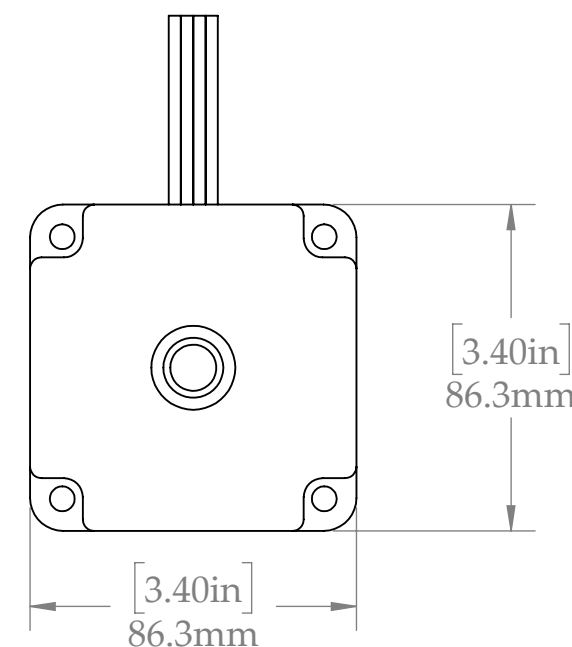
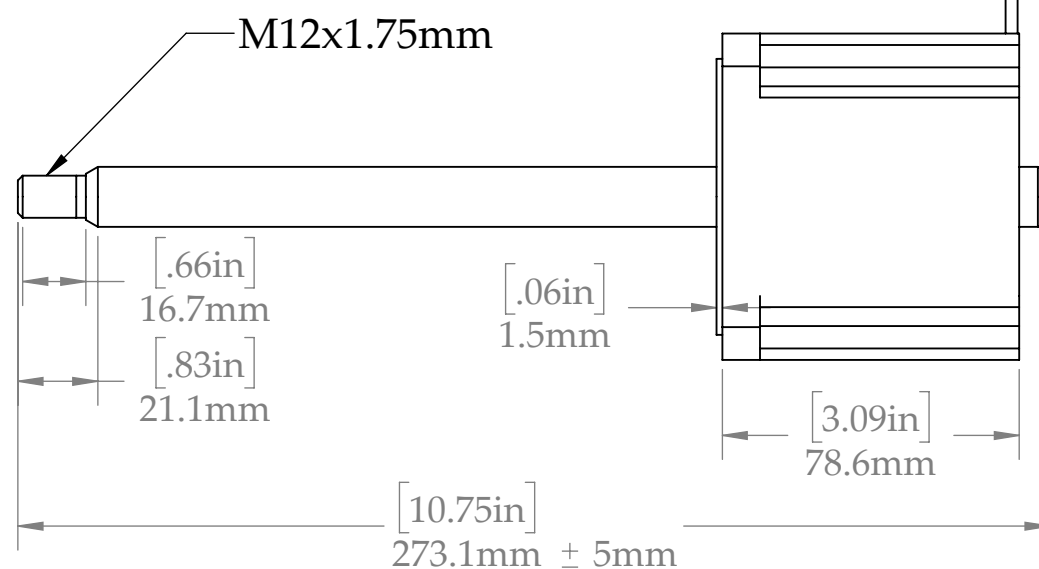
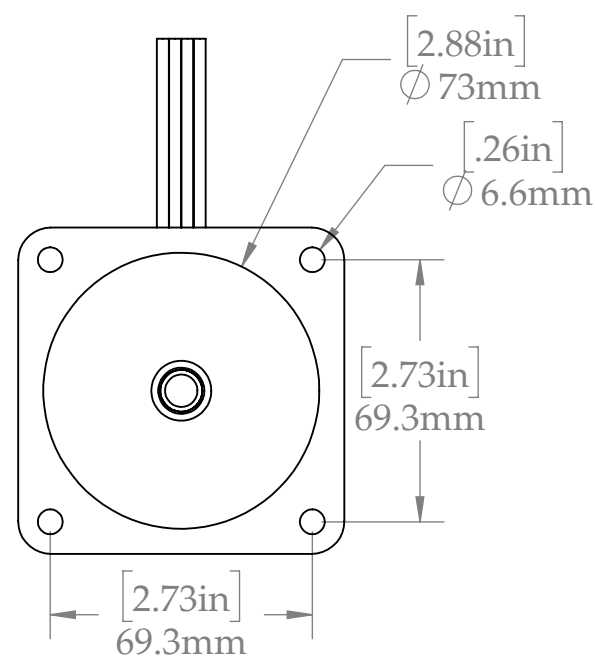
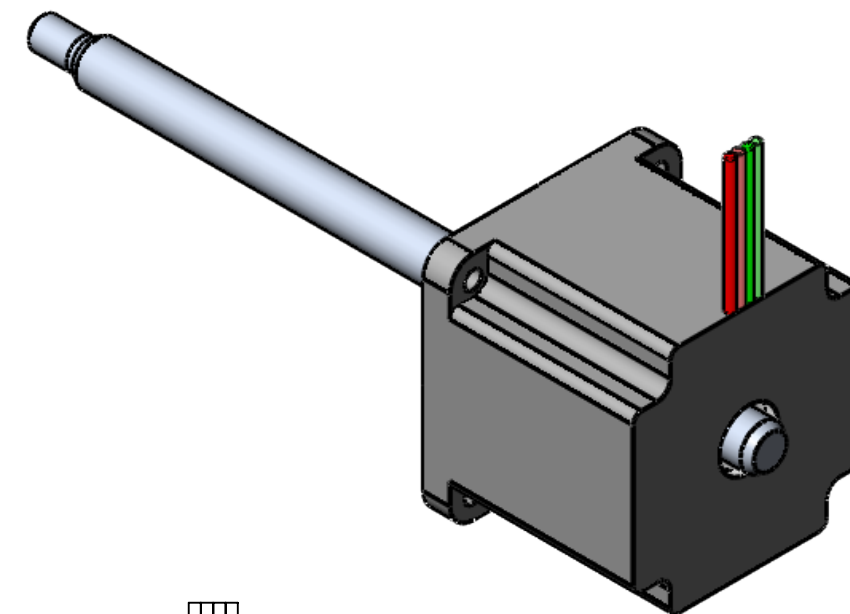
4

3

2

1

For reference only, subject to change without notice



PROPRIETARY AND CONFIDENTIAL NOTICE  
 ALL INFORMATION ON THIS SHEET IS THE SOLE PROPERTY OF  
 Roll-2-Roll Technologies LLC.  
 All Rights Reserved. © Copyright 2023.



UNLESS OTHERWISE SPECIFIED:

ALL DIMENSIONS ARE IN MM

TOLERANCES UNLESS NOTED:

INCH MILLIMETER

X.X ± 0.030 X.X ± 1

X.XX ± 0.015 X.XX ± 0.5

X.XXX ± 0.005 X.XXX ± 0.25

THIRD ANGLE PROJECTION

DO NOT SCALE DRAWING

	NAME	DATE
DRAWN	AS	20-JUL-21
CHECKED		
ENG APPR.		
MFG APPR.		
Q.A.		
COMMENTS:		

**Roll-2-Roll Technologies**  
 Website: <https://r2r.tech>  
 Phone: +1-888-290-3215  
 Email: [engineering@r2r.tech](mailto:engineering@r2r.tech)

TITLE: LHS-030-xxxx-RF

SIZE	DWG. NO.	REV
<b>B</b>	LHS-030-0600-RF	

SCALE: 1:2 WEIGHT: SHEET 1 OF 2

8

7

6

5

4

3

2

1

D

C

B

A

8

7

6

5

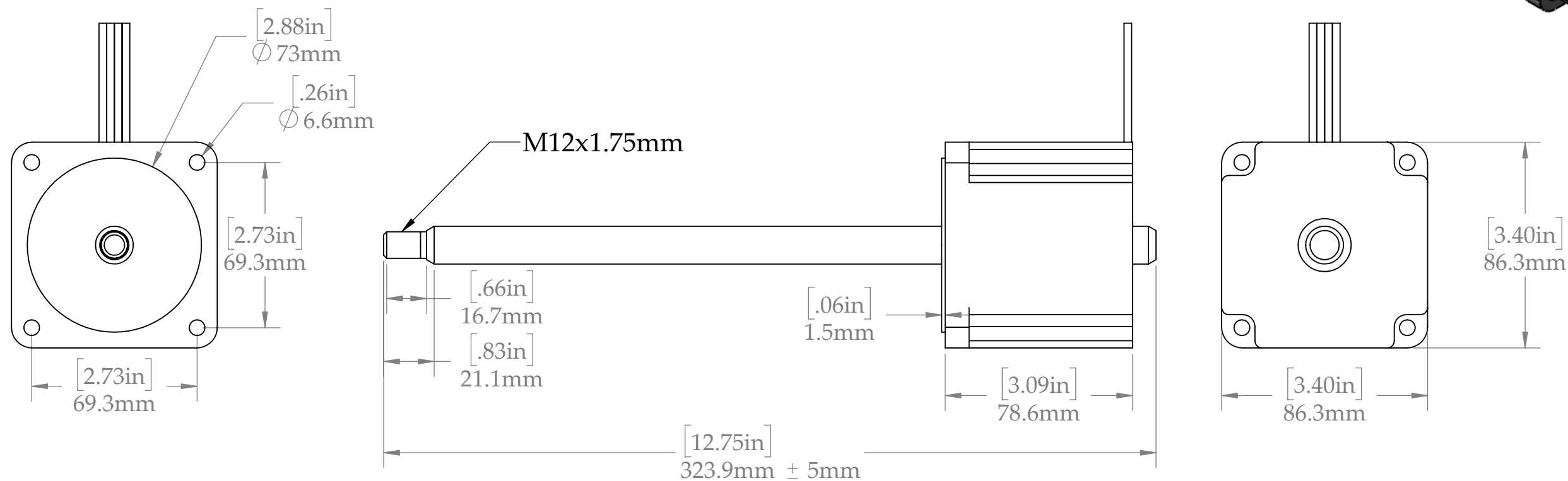
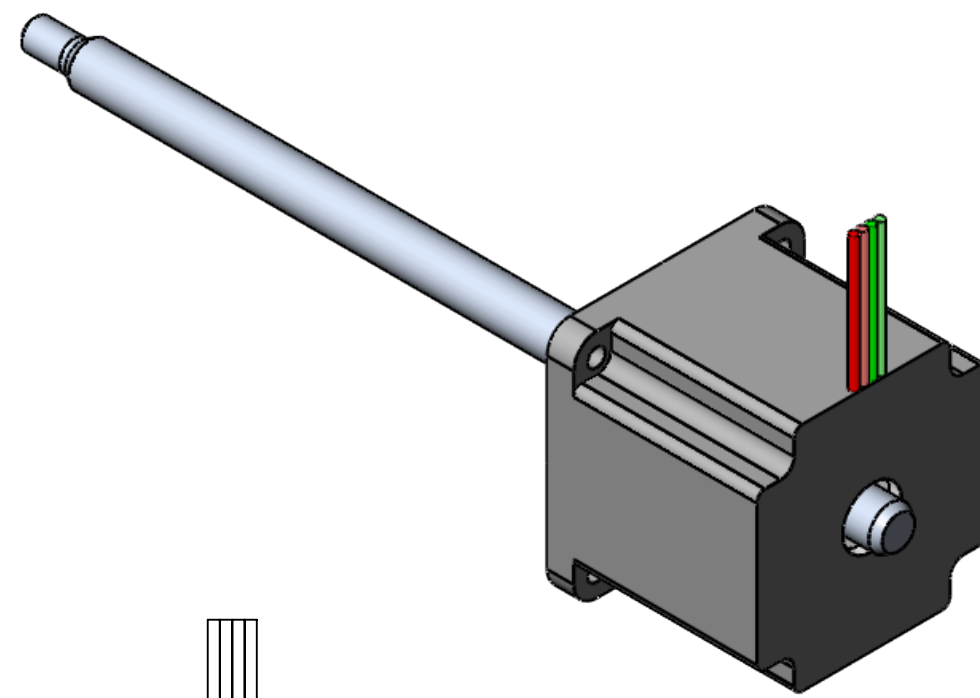
4

3

2

1

For reference only, subject to change without notice



PROPRIETARY AND CONFIDENTIAL NOTICE  
 ALL INFORMATION ON THIS SHEET IS THE SOLE PROPERTY OF  
 Roll-2-Roll Technologies LLC.  
 All Rights Reserved. © Copyright 2023.



UNLESS OTHERWISE SPECIFIED:

ALL DIMENSIONS ARE IN MM

TOLERANCES UNLESS NOTED:

INCH	MILLIMETER
X.X ± 0.030	X.X ± 1
X.XX ± 0.015	X.XX ± 0.5
X.XXX ± 0.005	X.XXX ± 0.25

THIRD ANGLE PROJECTION

DO NOT SCALE DRAWING

	NAME	DATE
DRAWN	AS	20-JUL-21
CHECKED		
ENG APPR.		
MFG APPR.		
Q.A.		
COMMENTS:		

**Roll-2-Roll Technologies**  
 Website: <https://r2r.tech>  
 Phone: +1-888-290-3215  
 Email: [engineering@r2r.tech](mailto:engineering@r2r.tech)

TITLE: LHS-030-xxxx-RF

SIZE	DWG. NO.	REV
<b>B</b>	LHS-030-0800-RF	

SCALE: 1:2 WEIGHT: SHEET 2 OF 2

8

7

6

5

4

3

2

1

D

D

C

C

B

B

A

A