

8

7

6

5

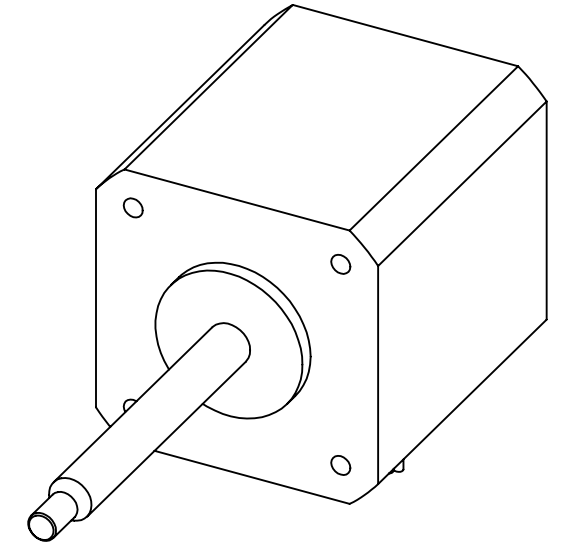
4

3

2

1

For reference only, subject to change without notice



D

D

C

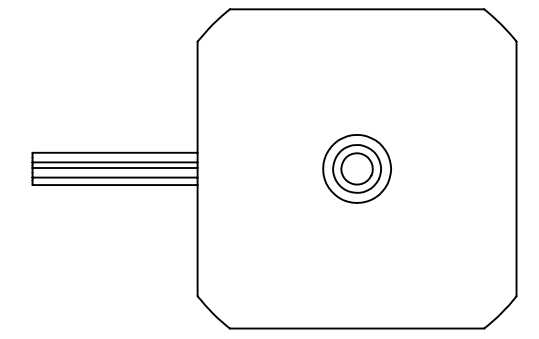
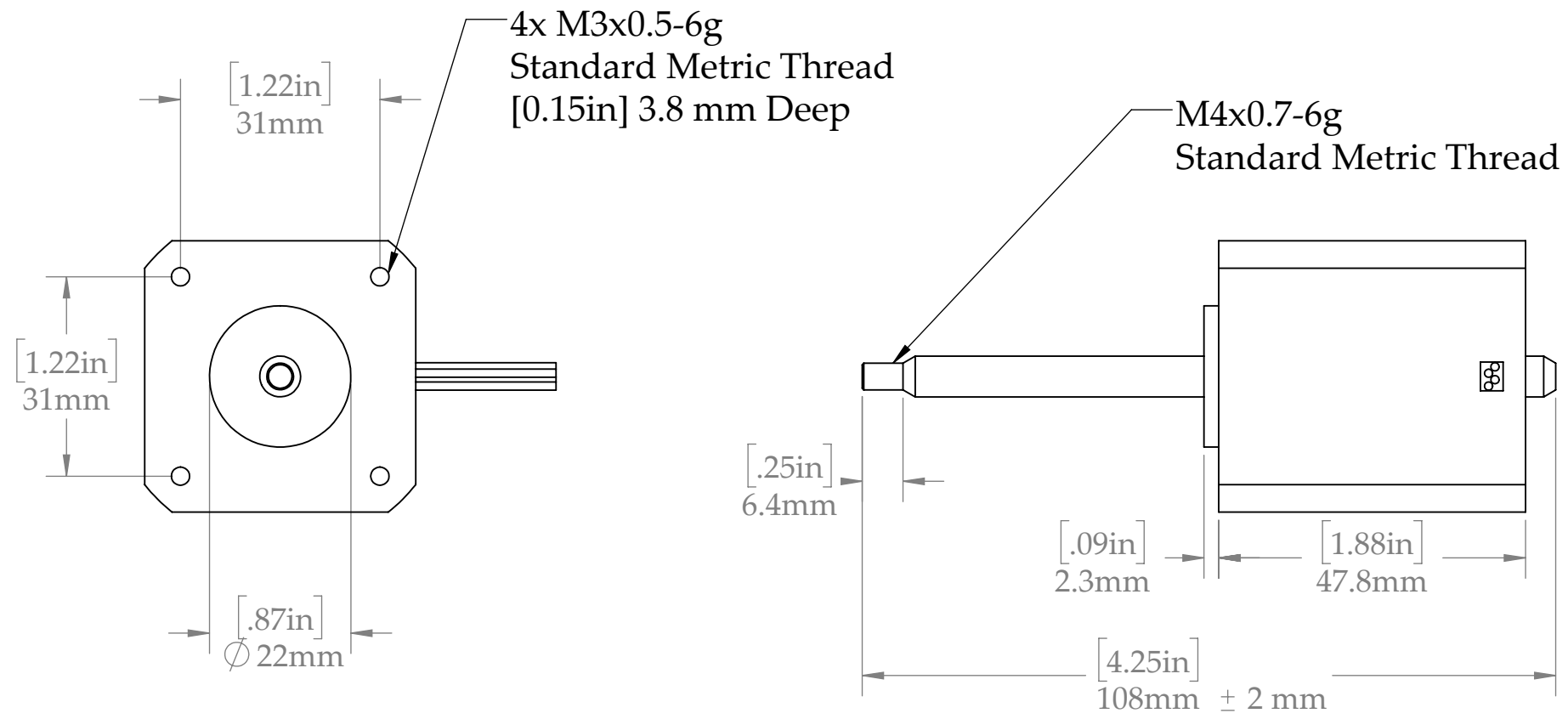
C

B

B

A

A



PROPRIETARY AND CONFIDENTIAL NOTICE
ALL INFORMATION ON THIS SHEET IS THE SOLE PROPERTY OF
Roll-2-Roll Technologies LLC.
All Rights Reserved. © Copyright 2023.



UNLESS OTHERWISE SPECIFIED:
 ALL DIMENSIONS ARE IN MM

TOLERANCES UNLESS NOTED:
 INCH MILLIMETER
 X.X ±0.030 X.X ±1
 X.XX ±0.015 X.XX ±0.5
 X.XXX ±0.005 X.XXX ±0.25

THIRD ANGLE PROJECTION

DO NOT SCALE DRAWING

	NAME	DATE
DRAWN	AS	20-JUL-21
CHECKED		
ENG APPR.		
MFG APPR.		
Q.A.		
COMMENTS:		

Roll-2-Roll Technologies		
Website: https://r2r.tech		
Phone: +1-888-290-3215		
Email: engineering@r2r.tech		
TITLE: LHS-005-0125-LP		
SIZE B	DWG. NO. LHS-005-0125-LP	REV
SCALE: 1:2	WEIGHT:	SHEET 1 OF 2

8

7

6

5

4

3

2

1

8

7

6

5

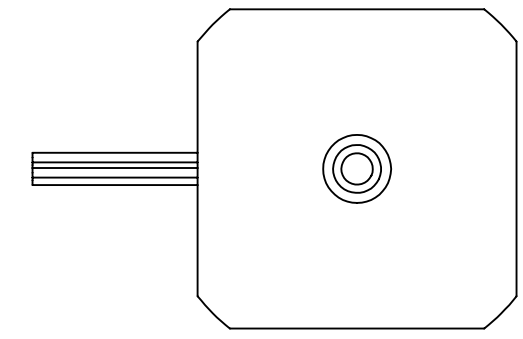
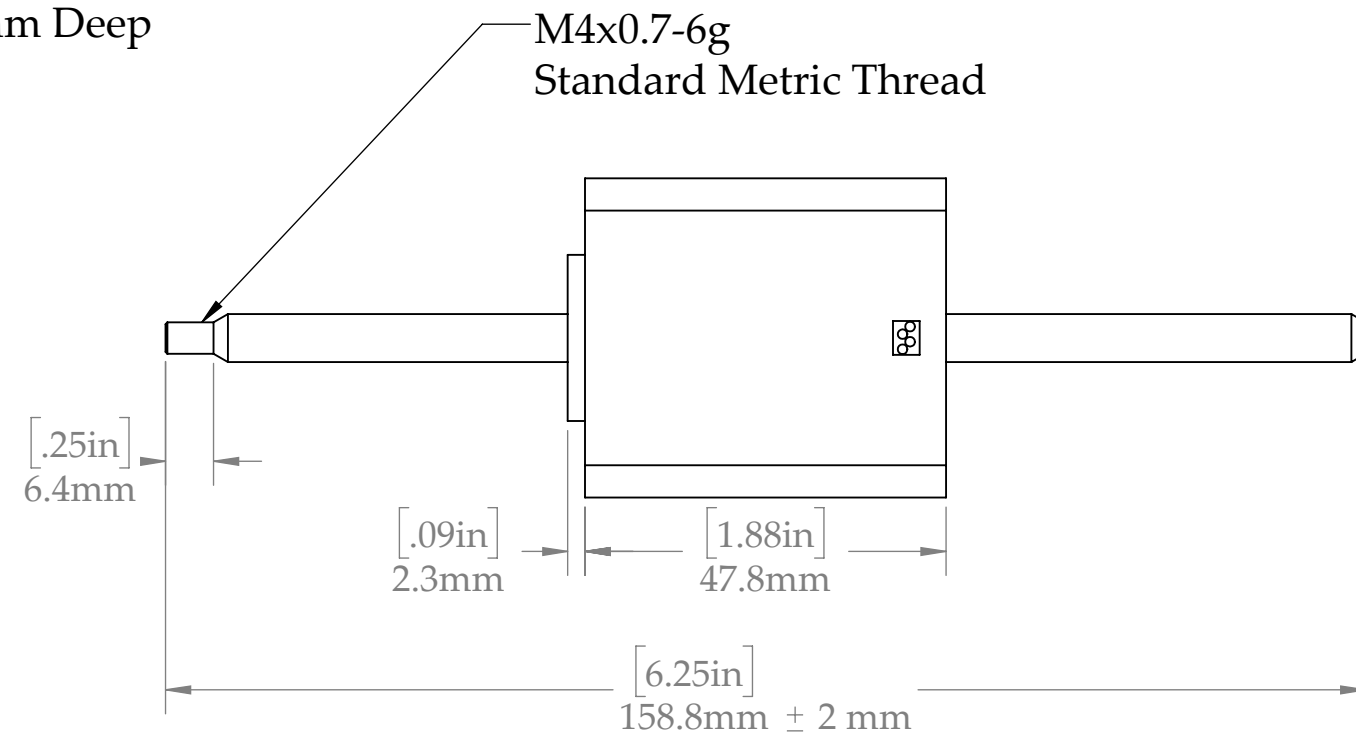
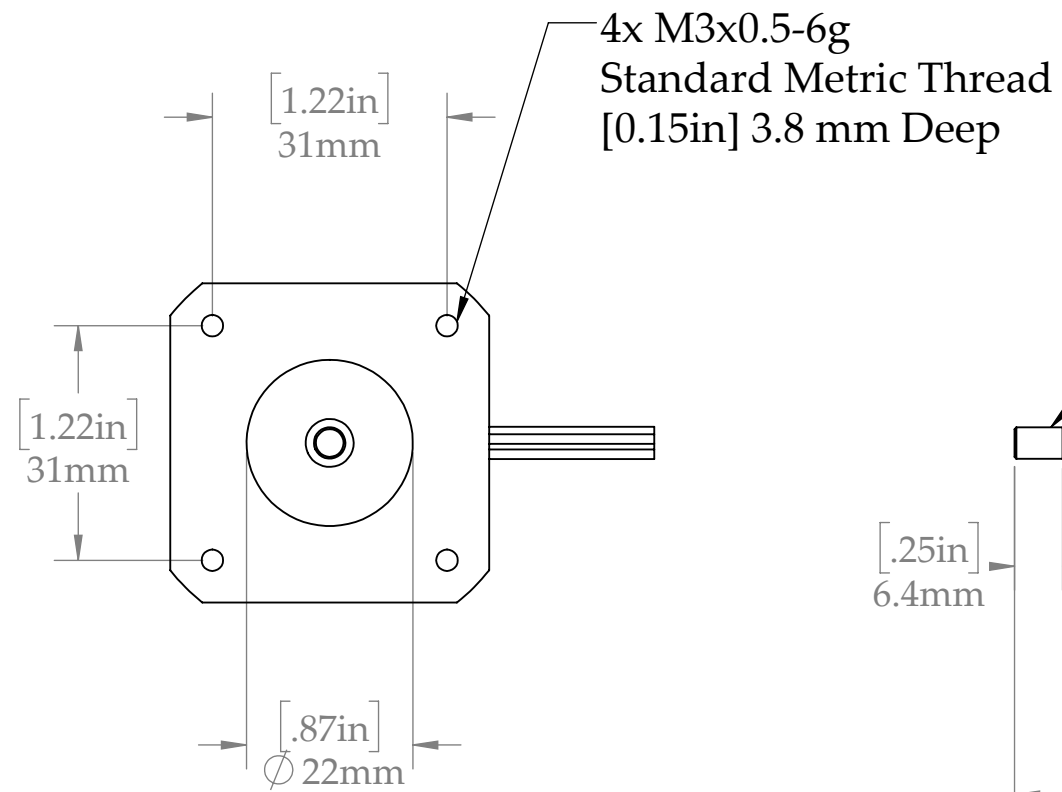
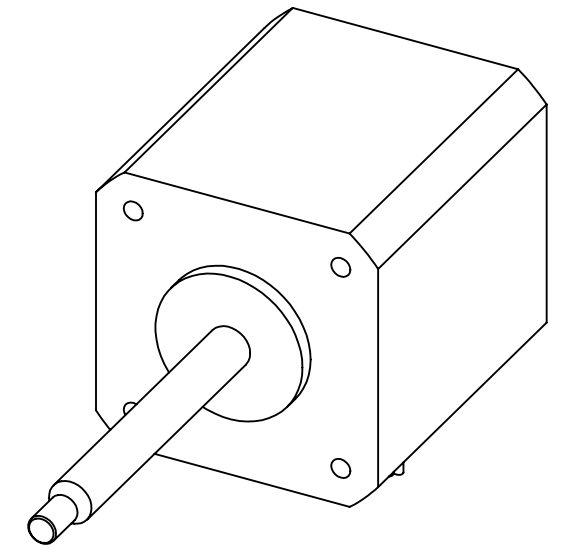
4

3

2

1

For reference only, subject to change without notice



PROPRIETARY AND CONFIDENTIAL NOTICE
ALL INFORMATION ON THIS SHEET IS THE SOLE PROPERTY OF
Roll-2-Roll Technologies LLC.
All Rights Reserved. © Copyright 2023.



UNLESS OTHERWISE SPECIFIED:
 ALL DIMENSIONS ARE IN MM

TOLERANCES UNLESS NOTED:
 INCH MILLIMETER
 X.X ± 0.030 X.X ± 1
 X.XX ± 0.015 X.XX ± 0.5
 X.XXX ± 0.005 X.XXX ± 0.25

THIRD ANGLE PROJECTION

DO NOT SCALE DRAWING

	NAME	DATE
DRAWN	AS	20-JUL-21
CHECKED		
ENG APPR.		
MFG APPR.		
Q.A.		
COMMENTS:		

Roll-2-Roll Technologies		
Website: https://r2r.tech		
Phone: +1-888-290-3215		
Email: engineering@r2r.tech		
TITLE: LHS-005-0400-LP		
SIZE B	DWG. NO. LHS-005-0400-LP	REV
SCALE: 1:2	WEIGHT:	SHEET 2 OF 2

8

7

6

5

4

3

2

1

D

D

C

C

B

B

A

A