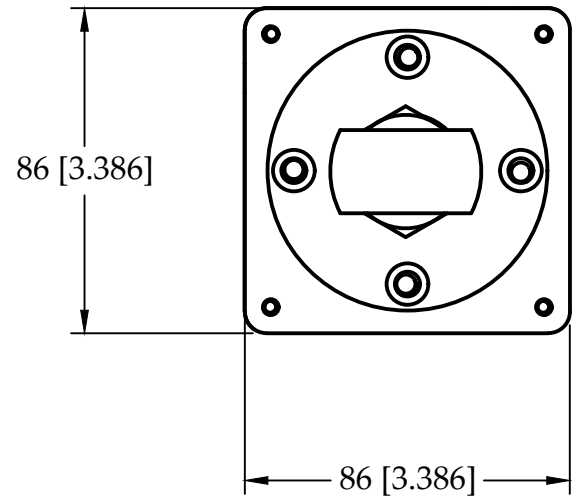
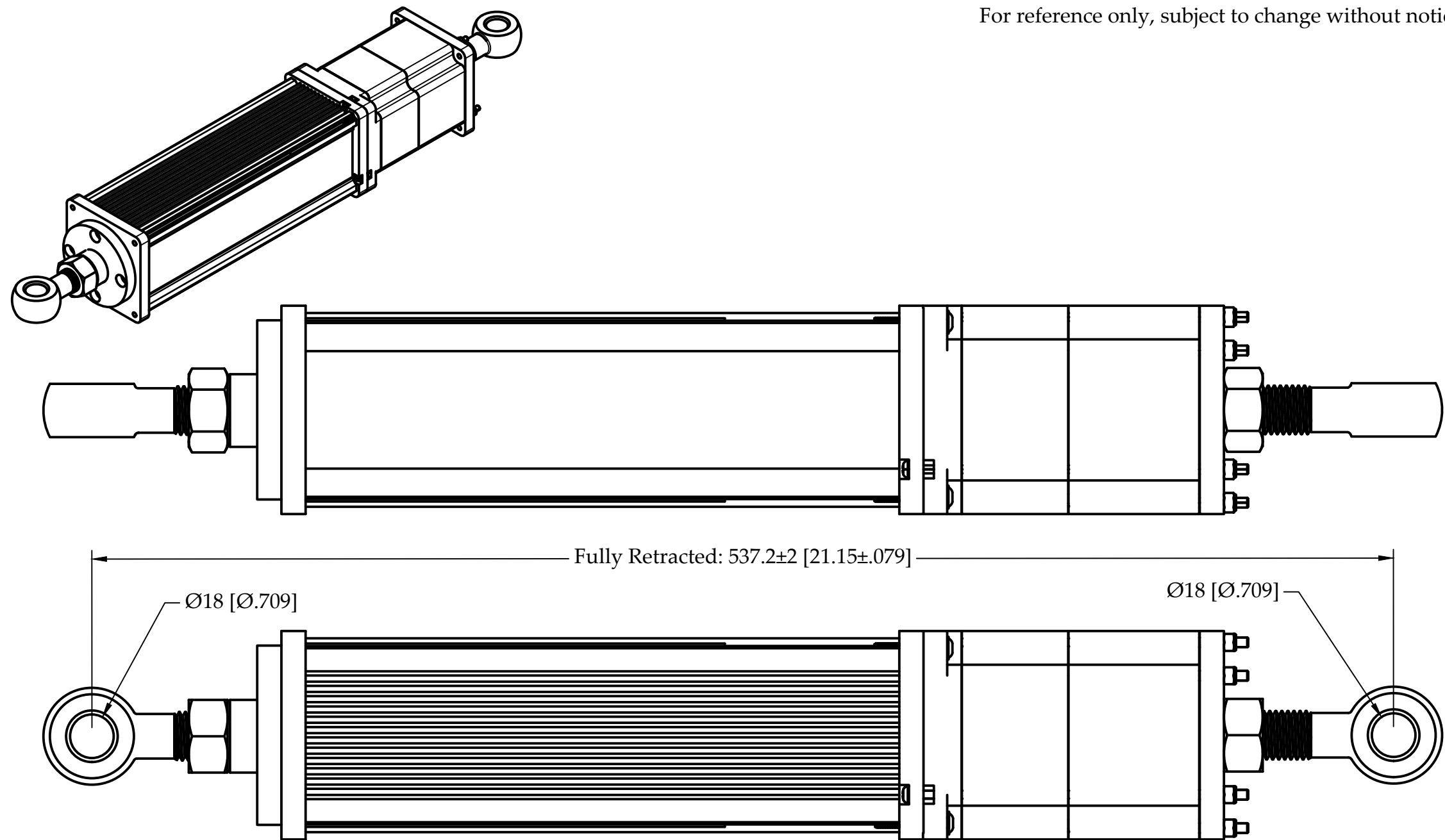


For reference only, subject to change without notice.



BLA-067-0600-TG

Max Thrust: 3000N or 675 lbf
 Max Speed: 50 mm/sec or 2 in/sec
 Motor: Brushless Bi-polar Stepper
 Resolution: 1.8°
 Motor Current: 6 A per coil
 Actuator Type: Ball Screw
 Ball Screw Diameter: 15 mm
 Max Stroke: 150 mm or 6 in
 Max Side Load: 66 N or 15 lbf
 Protection Class: IP 54

PROPRIETARY AND CONFIDENTIAL NOTICE
 ALL INFORMATION ON THIS SHEET IS THE SOLE PROPERTY OF
 Roll-2-Roll Technologies LLC.
 All Rights Reserved. © Copyright 2023.



DRAWN	Aravind Seshadri	1/21/2026	Roll-2-Roll Technologies Website: https://r2r.tech Phone: +1-888-290-3215 Email: engineering@r2r.tech	
CHECKED				
APPROVED				
UNLESS OTHERWISE SPECIFIED: ALL DIMENSIONS ARE IN MM TOLERANCES UNLESS NOTED: INCH MILLIMETER X.X ± 0.030 X.X ± 1 X.XX ± 0.015 X.XX ± 0.5 X.XXX ± 0.005 X.XXX ± 0.25			TITLE BLA-067-0600-TG	
THIRD ANGLE PROJECTION			SIZE B	DWG NO
DO NOT SCALE DRAWING			SCALE 1:4	SHEET 1/1